



T10 & T10+ Pro Smart thermostat with RedLINK® 3.0

PRODUCT DATA

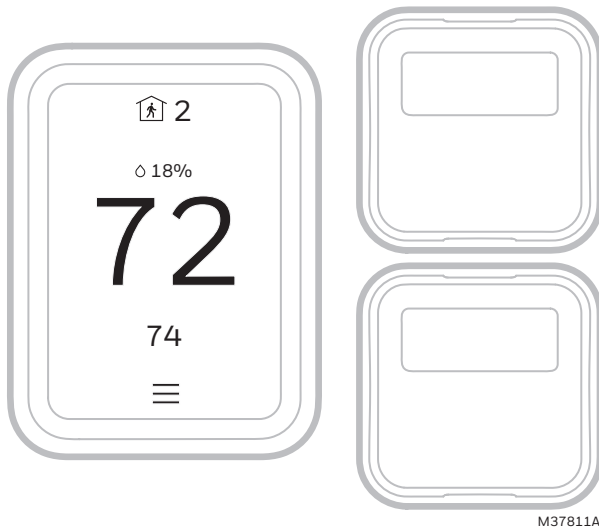


Fig. 1.

APPLICATION

The T10 or T10+ Smart Thermostat features an effortless, 7-Day programmable touchscreen thermostat. Compatible with 24 VAC systems including:

- Up to 3 Heat/2 Cool heat pump systems (4 heat with T10+ & EIM)
- Up to 2 Heat/2 Cool conventional (3 Heat/2 Cool with T10+ & EIM)
- Dual Fuel systems
- Radiant hot water systems including hot water fan coil
- Humidification, dehumidification, or ventilation (All three with T10+ & EIM)

FEATURES

- RedLINK 3.0 C7189R3002 or C7189R2002 Indoor Sensor Compatible (Up to 20 sensors per thermostat).
- Increase your content and profit per job by including RedLINK 3.0 indoor temperature, humidity, and motion sensors that meet your customers' comfort and

convenience needs. they can be used in combination for temperature averaging or individually. These sensors also sense motion and you can select priority zones based on where motion is detected or by scheduling.

- Flexible scheduling: You can choose to use location based temperature control (geofence technology), program a set schedule or use a combination of both to make sure your home is always comfortable.
- Location-based temperature control: Using geofence technology, the T10 or T10+ Smart Thermostat will automatically use your smartphone's location, which can save energy when you leave and make your home comfortable by the time you return. See "Scheduling" on page 42 for more.
- Smart scheduling: Adds a Sleep period to location-based temperature control. See "Scheduling" on page 42 for more.
- Time-based scheduling: You can program a schedule where every day is different, a schedule where weekdays and weekends are different or a schedule where every day is the same. There are four adjustable periods per day: Wake, Away, Home and Sleep. See "Scheduling" on page 42 for more.
- No schedule: You can also choose to disable schedule and adjust the thermostat manually. See page 45.
- Tip: The Resideo app can be used to manage multiple thermostats and multiple users in a household.
- Smart Alerts: T10 or T10+ Smart Thermostat will send alerts for things like extreme indoor temperatures and reminders for things like filter changes.
- Auto change from heat to cool: When Auto mode is selected, the T10 or T10+ Smart Thermostat can automatically determine whether your home needs heating or cooling to reach the desired temperature.
- Adaptive Intelligent Recovery: T10 or T10+ Smart Thermostat learns your heating and cooling cycle times to make sure the system delivers the temperature you want, when you want it.

Apple® HomeKit™ Setup Code

The T10 or T10+ Smart Thermostat supports HomeKit. At thermostat, select the menu icon at bottom of screen. Then choose HomeKit setup from the options and follow the instructions (see page 47).



CONTENTS

Application	1
Features	1
Apple® HomeKit™ Setup Code	1
Specifications	4
Model Numbers	5
Dimensions	6
System Installation	8
When Installing This Product... ..	8
Finding Your Password (Date Code)	8
Selecting Thermostat Location	8
UWP Mounting System Installation	8
Optional Decorative Cover Plate Installation	8
Wiring UWP	9
Setting Slider Tabs	10
Wiring	11
Wiring at T10 or T10+ Without EIM	11
Wiring humidifier, dehumidifier, or ventilator without EIM.....	15
Installing Equipment Interface Module (if used)	16
EIM Wiring Diagrams	17
Wiring dry contact alerts with EIM.....	22
Wiring humidifier, dehumidifier & ventilator with EIM	23
Linking the T10+ to an Optional EIM	24
To Replace the Equipment Interface Module (EIM)	25
To replace a T10+ connected to an EIM	25
Sensor Installation	25
Wireless Indoor Sensor Installation	25
Wireless Outdoor Sensor Installation	26
Selecting Return Air Temperature Sensor Mounting Location	27
Selecting Discharge Air Temperature Sensor Mounting Location	27
Installing Discharge and/or Return Air Temperature Sensors (T10+ only)	28
Installing Wired Indoor Sensor	29
Installing Wired Outdoor Sensor	29
Floor/Slab Sensor (T10+ only)	30
Installer Setup	31
New Installation	31
Revising Settings	31
WiFi Setup	41
Connect to a Hidden WiFi Network	41
Unsuccessful WiFi Connection	41
Scheduling	42
Setting a Schedule On Thermostat	42
Scheduling Through the App	43
Schedule Override on Device	44
Main Menu	44
Main Menu Options	44
Management	45
Installer Options	46

Getting the Most From the T10 or T10+ Smart Thermostat	46
Apple® HomeKit™ Setup	47
Using Your Thermostat	47
Setting the Time/Date	48
Setting the Fan	48
Setting the System Mode	48
Using Priority	49
Selecting Sensors	49
Priority Screen	49
Alerts and Notifications	49
IAQ Reminders	49
Setting Preferences	50
Fallback Room (T10+ only)	50
Indoor Air Quality Control	50
Humidification	50
Dehumidification	51
Ventilation	53
Advanced Features	54
Cleaning the Thermostat Screen	54
Adjusting Security Settings	54
Dealer Information	54
Auto Changeover Operation	55
Em Heat and Auxiliary Heat Operation	55
Adaptive Intelligent Recovery	55
Compressor Protection	56
P + I Control	56
Heat Differential	56
Programmed Recovery	57
Finish with High Heat stage and/or Finish with High cool stage	57
Heat Pump and Backup Heat Operation	58
Battery Replacement	60
Resideo Pro App	60
Frequently Asked Questions (FAQs)	61
Troubleshooting	62
Regulatory information	64

SPECIFICATIONS

Table 1. T10 & T10+ Thermostat Description.

Feature	Description
Powering Method	Common wire required
Stages: • Up to 3H/2C* Heat pump • Up to 2H/2C* conventional • Radiant floor with slab sensor (T10+ only)	Equipment type: • Dual fuel • Hot water, steam, or hot water coil • Gas or oil furnace • High-efficiency or mid-efficiency • Cool only • Humidifier, Dehumidifier, or Ventilator control**
Changeover	Manual or Auto Changeover Selectable
System Setting	Em Heat-Heat-Off-Cool-Auto
Fan Setting	Auto-On-Circ-Follow Schedule

*4H/2C heat pump or 3H/2C conventional with T10+ & EIM

** T10+ with EIM can control three IAQ devices.

Table 2. Electrical ratings of T10 or T10+ Without EIM.

Terminal	Voltage (50/60Hz)	Running Current
W (Heat)	20-30 VAC	0.02-1.0 A
W2 (Aux) Heat	20-30 VAC	0.02-1.0 A
E (Emergency Heat)	20-30 VAC	0.02-0.5 A
Y (Compressor Stage 1)	20-30 VAC	0.02-1.0 A
Y2 (Compressor Stage 2)	20-30 VAC	0.02-1.0 A
G (Fan)	20-30 VAC	0.02-0.5 A
O/B (Changeover)	20-30 VAC	0.02-0.5 A
L/A (Heat Pump Fault)	20-30 VAC	0.02-0.5 A
U (Hum, Dehum, or Vent)	20-30 VAC	0.02-0.5 A

Power Consumption: 3VA

Table 3. Electrical ratings of EIM (for use with T10+ models).

Terminal	Voltage (50/60Hz)	Max. Current Rating
O/B	18-30 VAC	1.00 A
Y (Compressor Stage 1)	18-30 VAC	1.00 A
Y2 (Compressor Stage 2)	18-30 VAC	1.00 A
G (Fan)	18-30 VAC	0.50 A
W1	18-30 VAC	0.60 A
W2/Aux 1 (Heating)	18-30 VAC	0.60 A
W3/Aux 2 (Heating)	18-30 VAC	0.60 A
L (Input only)	18-30 VAC	0.60 A
U1, U1 U2, U2 U3, U3	18-30 VAC	0.50 A

RedLINK Communication:

Frequency: 900 Mhz frequency range

Re-Sync Time: RedLINK devices re-establish communication within 6 minutes after AC power resumes.

Temperature Setting Range:

Heating: 40 to 90 °F (4.5 to 32 °C).

Cooling: 50 to 99 °F (10 to 37 °C).

Note: Adjustable high and low range-stop settings.

Humidification Setting Range:

0% to 90% RH.

Dehumidification Setting Range:

10% to 100% RH.

Humidity Display Range:

0% to 99%.

Humidity Sensor Accuracy:

± 5% RH from 30% to 50% RH at 75 F.

Cool Indication:

Display floods blue and says "cooling to" when cool is on.

Heat or Em Heat Indication:

Display floods orange and says "heating to" when heat is on.

AUX Heat Indication:

Display shows "Aux heat on" above the room temperature.

Interstage Differential:

Comfort (default setting):

The thermostat keeps the indoor temperature within 1 degree of the setpoint (droop less control). Unless the system is dual fuel, or a droop setting is used, the thermostat turns on stage 2 when the capacity on stage 1 reaches 90%.

See ISU 3030 for cool differential options.

See ISU 3050 and 3090 for backup heat differential options.

Clock Accuracy:

1 minute per month at 77 °F (25 °C). ± 2 minutes per month over the operating ambient temperature range. Automatically updates when connected to WiFi router and registered to account.

Mounting Means:

Thermostat mounts directly on the wall in the living space using mounting screws and anchors provided. Can mount to a horizontal 2 x 4 in. junction box using J-Box adapter (included).

Model Numbers

Table 4. T10 Thermostats and Accessories.

Product	Part Number	Operating Ambient Temperature	Operating Relative Humidity	Shipping Temperature	Dimensions in in. (mm)	Color
T10 thermostat	THX321WF2003W	T10 Thermostat 37 to 102 °F. (2.8 to 38.9 °C)	5% to 90% Non Condensing	-20 to 120 °F (-28.9 to 48.9 °C)	T10 Thermostat 4.9" H x 3.7" W x 0.93" D (125.4 H x 94.1 W x 23.68 D)	White
Kit with T10 thermostat with one C7189R2002 sensor	THX321WFS2001W					
Wireless indoor temperature, humidity, & motion sensor. Up to 20 per T10 thermostat (IAS) (We are transitioning to C7189R3002 sensors for all T10 models)	C7189R2002-2 (2-pack) C7189R3002-2 (2-pack)	* 0 to 120 °F (-17.8 to 48.9 °C)	5% to 90% Non-Condensing	-20 to 120 °F (-28.9 to 48.9 °C)	2.6" W x 2.6" H x .78" D (66.25 W x 66.25 H x 19.7 D)	White

* For optimal Battery Life, operating temperature range of 35 to 114 °F (1.7 to 45.6 °C) is recommended.

Table 5. T10+ and Accessories.

Product	Part Number	Operating Ambient Temperature	Operating Relative Humidity	Shipping Temperature	Dimensions in in. (mm)	Color
T10+ thermostat	THX321WF3003W	T10 + 37 to 102 °F. (2.8 to 38.9 °C)	5% to 90% Non-Condensing	-20 to 120 °F (-28.9 to 48.9 °C)	T10+ 4.9" H x 3.7" W x 0.93" D (125.4mm H x 94.1mm W x 23.68mm D)	White
Kit with T10+ thermostat with one C7189R3002 sensor	THX321WFS3001W					
Kit with T10+ Thermostat, EIM, IAS, RATS/DATS	YTHM1004R3000					
Kit with T10+ Thermostat, EIM, IAS, RATS/DATS, OAS	YTHM1004R3001					
Wireless indoor temperature, humidity, & motion sensor. Up to 20 per T10+ thermostat. (IAS)	C7189R3002-2 (2-pack)	*0 to 120 °F (17.8 to 48.9 °C)	5% to 90% Non-Condensing	-20 to 120 °F (-28.9 to 48.9 °C)	2.6" W x 2.6" H x 0.78" D (66.25 W x 66.25 H x 19.7 D)	White
Wireless outdoor temperature & humidity sensor (OAS)	C7089R3013	-40 to 140 °F (-40 to 60 °C)	0% to 90% Non-Condensing	-40 to 140 °F (-40 to 60 °C)	5" x 3-1/2" x 1-11/16" (127 x 89 x 43)	Grey
Equipment Interface Module (EIM)	THM04R3000	-40 to 165 °F (-40 to 73.9 °C)	5% to 95% Non-Condensing	-20 to 165 °F (-28.9 to 73.9 °C)	4-53/64" W x 9-11/32" H x 1-19/32" D (123 W x 237 H x 41 D)	Grey
Floor/Slab sensor for radiant floor heat (T10+ only, 10K ohm)	AC112-01					
Discharge or return sensor. (Two are included with the T10+ & EIM kits)	C7735A1000					

* For optimal Battery Life, operating temperature range of 35 to 114 °F (1.7 to 45.6 °C) is recommended.

Table 6. Accessories for either T10 or T10+.

Product	Part Number	Dimensions in in. (mm)
Large Cover Plate & J Box Adapter Included with T10 & T10+ models other than THX321WFS2001W	THP2400A1080	6.11" W x 6.11" H (155.3 X 155.3)
Large molded Cover Plate & J Box Adapter Included with THX321WFS2001W model of T10 & T10+ models	Not orderable as a separate accessory	5-1/2" W x 5-13/64" H (140 x 131)
Wired indoor temperature sensor (10K ohm)	C7189U1005	1-1/2" W x 2-1/4" H x 3/4" D (38 W x 57 H x 19 D)
Wired outdoor temperature sensor (10K ohm)	C7089U1006	2-1/4" W x 3/8" H with 60" leadwires. (57 x 10 with 1524 mm leadwires.)
Wire saver module or C wire adapter (add a C wire).	Various versions of this made. Starts with THP9045A	

Dimensions

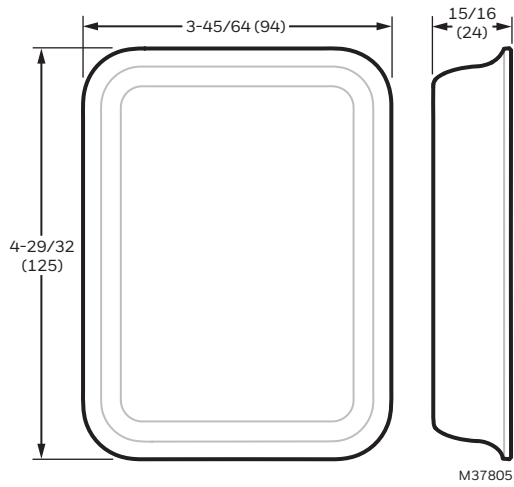


Fig. 2. Dimensions of T10 & T10+ thermostat in in. (mm).

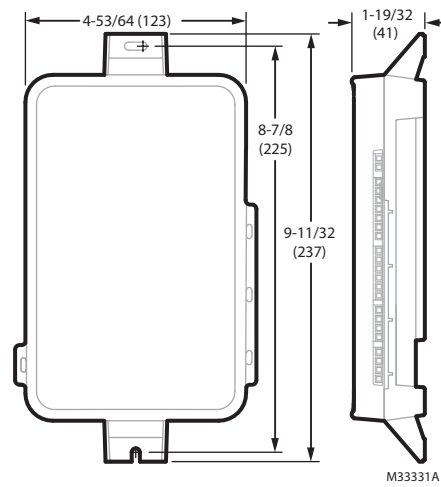


Fig. 4. Dimensions of THM04R3000 EIM in in. (mm).

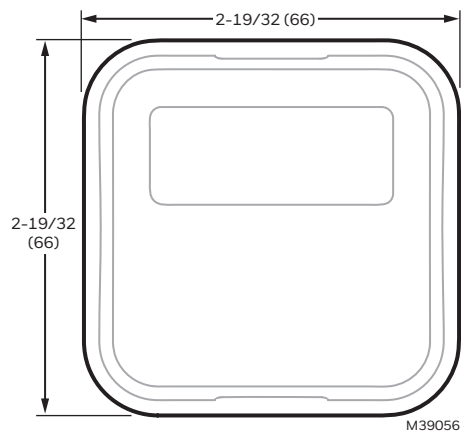


Fig. 3. Dimensions of C7189R2002 & C7189R3002 sensors in in. (mm).

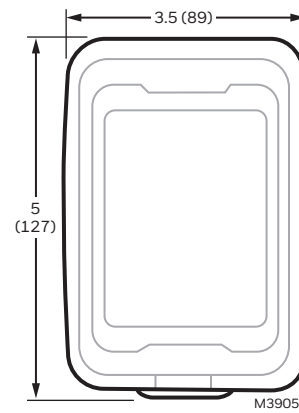


Fig. 5. Dimensions of C7089R3013 wireless outdoor sensor in in. (mm).

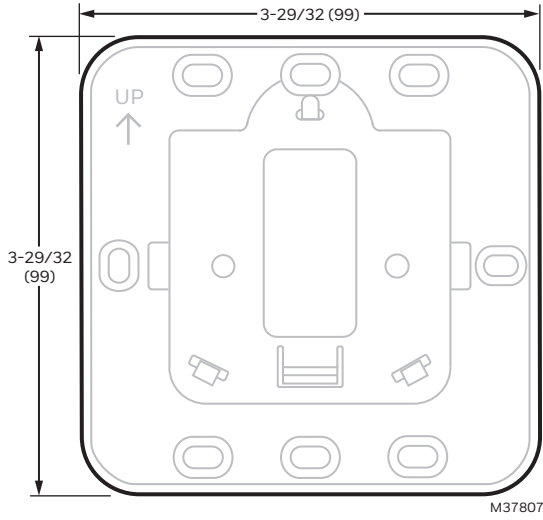


Fig. 6. Dimensions of J-Box adapter included with all T10 & T10+ models in In. (mm).

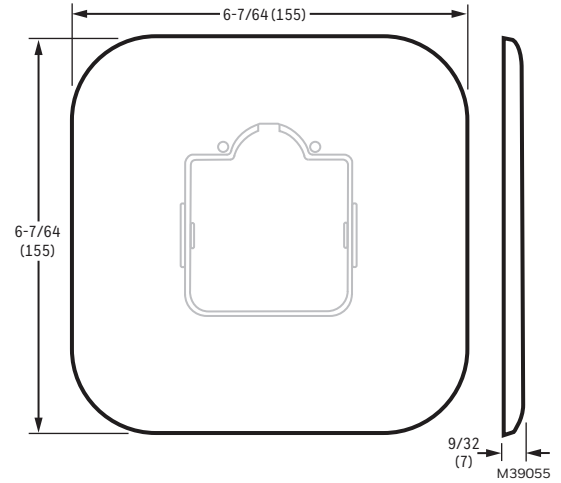


Fig. 8. Dimensions of flat white cover plate included with all T10 & 10+ models other than THX321WFS2001W in In. (mm).

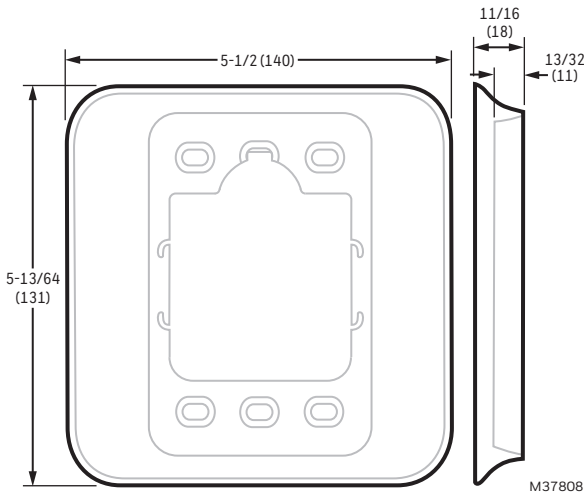


Fig. 7. Dimensions of molded grey cover plate included with THX321WFS2001W in In. (mm).

SYSTEM INSTALLATION

When Installing This Product...

1. Read these instructions carefully. Failure to follow the instructions can damage the product or cause a hazardous condition.
2. Check the ratings given in the instructions to make sure the product is suitable for your application.
3. Installer must be a trained, experienced service technician.
4. After completing installation, use these instructions to verify the product operation.

Finding Your Password (Date Code)

You will need the thermostat password to:

- Add or remove RedLINK 3.0 accessories
- Make changes to Installer Setup
- Perform an Installer Test
- Reset Thermostat to Factory Default Settings

To find the password (date code) Press the menu (three horizontal lines) Scroll down and select “Dealer Information”.

CAUTION

Electrical Hazard.
Can cause electrical shock or equipment damage.
Disconnect power before wiring.

Selecting Thermostat Location

Install the thermostat about 5 ft. (1.5m) above the floor in an area with good air circulation at average temperature. See Fig. 9.

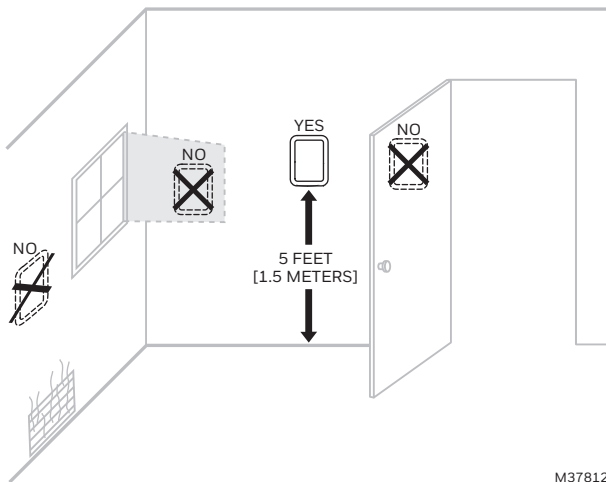


Fig. 9. Selecting thermostat location

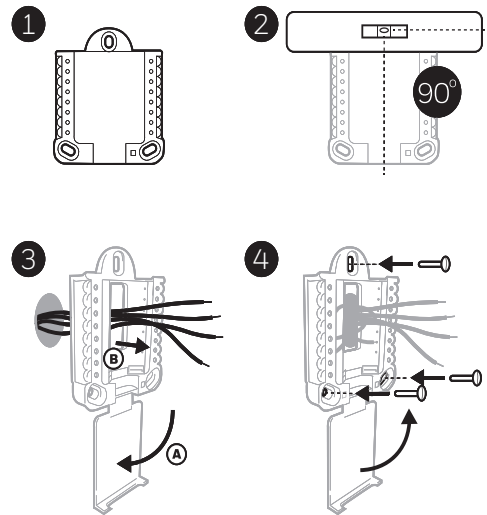
Do not install the thermostat where it can be affected by:

- Drafts or dead spots behind doors and in corners
- Hot or cold air from ducts

- Radiant heat from sun or appliances
- Concealed pipes and chimneys
- Unheated (uncooled) areas such as an outside wall behind the thermostat

UWP Mounting System Installation

1. Open package to find the UWP. See Step 1 in Fig. 10.
2. Position the UWP on the wall. Level and mark hole positions. See Step 2 in Fig. 10. Drill holes at marked positions, and then lightly tap supplied wall anchors into wall using a hammer. Drill 7/32” holes for drywall.
3. Pull the door open and insert wires through the wiring hole of the UWP. See Step 3 in Fig. 10.
4. Place the UWP over the wall anchors. Insert and tighten mounting screws supplied with the UWP. Do not over-tighten. Tighten until the UWP no longer moves. Close the door. See Step 4 in Fig. 10. Use 3x supplied screws #8 1-1/2”.



M37786

Fig. 10.

Optional Decorative Cover Plate Installation

Use the Optional Cover Plate when:

- Mounting the thermostat to an electrical junction box
- Or when you need to cover paint gap from the old thermostat.

5. Separate the Junction Box Adapter from the Cover Plate. See Step 5 in Fig. 11.
6. Mount the Junction Box Adapter to the wall or an electrical box using any of the eight screw holes. Insert and tighten mounting screws supplied with Cover Plate Kit. Do not over-tighten. Make sure the Adapter Plate is level. See Step 6 in Fig. 11. Use 2x supplied screws #6 5/8”.
7. Attach the UWP by hanging it on the top hook of the Junction Box Adapter and then snapping the bottom of the UWP in place. See Step 7 in Fig. 11.

8. Snap the Cover Plate onto the Junction Box Adapter. See Step 8 in Fig. 11.

NOTE: Cover plate included with T10 or T10+ can vary by model.

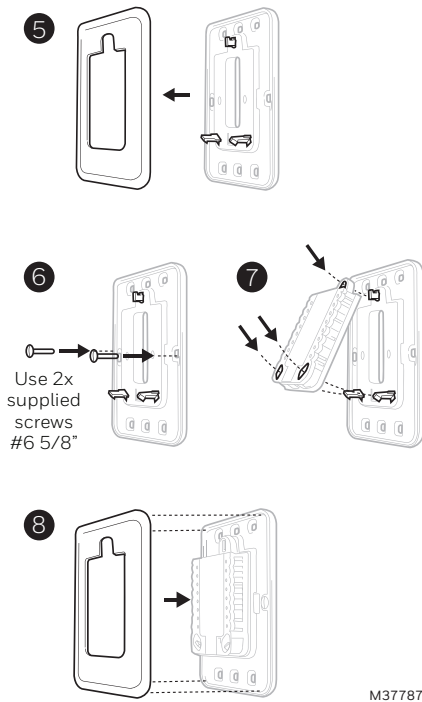


Fig. 11.

Wiring UWP

NOTE: If T10+ & EIM are used, UWP only wires to R and C of a 24 VAC power supply. Usually R and C from UWP goes to R & C at upper right of EIM.

Push down on the tabs to put the wires into the inner holes of their corresponding terminals on the UWP (one wire per terminal) until they are firmly in place.

Gently tug on the wires to verify they are secure.

If you need to release the wires again, push down the terminal tabs on the sides of the UWP. This wiring is just an example, yours may vary.

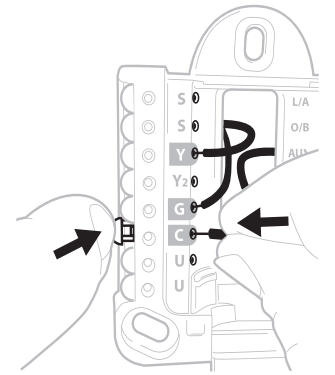


Fig. 12.

Terminal Designations

Table 7. Terminals on T10 or T10+ Without EIM.

Conventional Systems		Heat Pump Systems	
Terminal	Description	Terminal	Description
S/S	Input for a wired sensor	S/S	Sensor options in charts on page 5
Y	Compressor Stage 1	Y	Compressor Stage 1
Y2	Compressor Stage 2	Y2	Compressor Stage 2
G	Fan Relay	G	Fan Relay
C	24VAC Common wire from secondary side of cooling transformer (if 2 transformers)	C	24VAC Common wire from secondary side of cooling transformer
K*	Connect to K on C-wire adapter	K*	Connect to K on C-wire adapter
U/U**	Relay for humidifier, dehumidifier, or ventilator	U/U**	Relay for humidifier, dehumidifier, or ventilator
A		L/A	Connect to compressor monitor
W	Heat Stage 1	O/B	Changeover valve for heat pumps
W2	Heat Stage 2	AUX	Backup Heat
		E	Emergency Heat
R	24 VAC Heating transformer	R	24 VAC Heating transformer
Rc	24 VAC Cooling transformer	Rc	24 VAC Cooling transformer

* The THP9045A C-wire adapter is used on heat/cool systems when you only have four wires at the thermostat and you need an extra wire for a common wire. Use the K terminal in place of the Y and G terminals on conventional or heat pump systems to provide control of the fan and the compressor through a single wire the unused wire then becomes your common wire. See THP9045 instructions for more information.

** See note on Wiring U terminals on the following page.

Table 8. Terminals on THM04R3000 Equipment Interface Module (EIM) Used With T10+ Models Only.

Conventional Systems		Heat Pump Systems	
Terminal	Description	Terminal	Description
S1, S2, S3, S4 (Two of each)	Input for indoor sensor, outdoor sensor, Floor sensor, RATS, DATS, or dry contact alert	S1, S2, S3, S4 (Two of each)	Input for indoor sensor, outdoor sensor, Floor sensor, RATS, DATS, or dry contact alert
Y	Compressor Stage 1	Y	Compressor Stage 1
Y2	Compressor Stage 2	Y2	Compressor Stage 2
G	Fan Relay	G	Fan Relay
C	Common from HVAC transformer when R is jumped to Rc. Common from separate transformer if R is not jumpered	C	Common from HVAC transformer when R is jumped to Rc. Common from separate transformer if R is not jumpered
U1, U2, U3 (Two of each)	Relay for humidifier, dehumidifier, ventilator, extra stage of heat or cool	U1, U2, U3 (Two of each)	Relay for humidifier, dehumidifier, ventilator, extra stage of heat or cool
L	Not used for conventional applications	L	Connect to compressor monitor
O/B	Not used for conventional applications	O/B	Changeover valve for heat pumps
W1	Heat Stage 1	W1	Not used for heat pump applications
W2	Heat Stage 2	AUX1	Stage 1 of AUX/EM heat
W3	Heat Stage 3	AUX2	Stage 2 of AUX/EM heat
R	24V from transformer to power EIM	R	24V from transformer to power EIM
Rc	24 VAC Cooling transformer	Rc	24 VAC Cooling transformer
Rh	24 VAC Heat transformer	Rh	24 VAC Heat transformer

Setting Slider Tabs

Set R Slider Tab, see Fig. 13.

- Use built-in jumper (**R Slider Tab**) to differentiate between one or two transformer systems.
- If there is only one R wire, and it is connected to the **R**, **Rc**, or **RH** terminal on the old thermostat, set the slider to the **up** position (**1 wire**).
- If there is one wire connected to the **R** terminal and one wire connected to the **Rc** terminal, set the slider to the **down** position (**2 wires**).

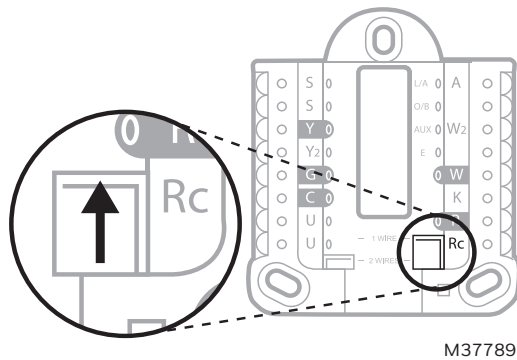


Fig. 13.

Set U Slider Tab, see Fig. 14.

- Use built-in jumper (**U Slider Tab**) for IAQ device.
- When the **U Slider Tab** is in the down position (**2 wires**) the U contacts are a dry set of contacts.
- If your IAQ device is powered by the cooling transformer, move the **U Slider Tab** to the up position (**1 wire**). When this is done, the lower U terminal is internally jumped to the Rc terminal. In this application, you would hook up one wire from your IAQ device to the upper U terminal and the other to the common side of the cooling transformer. The 1 wire setting is most commonly used when using a fresh air damper for ventilation or using low speed fan for dehumidification.
- See wiring examples on the next page.

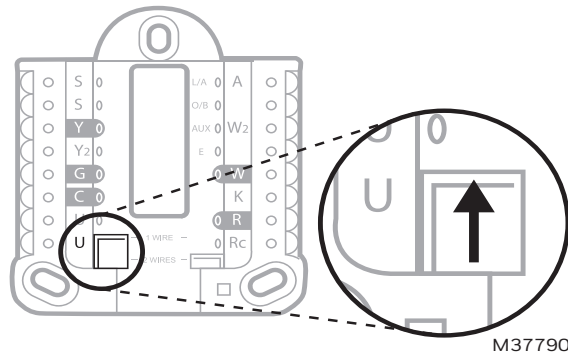


Fig. 14.

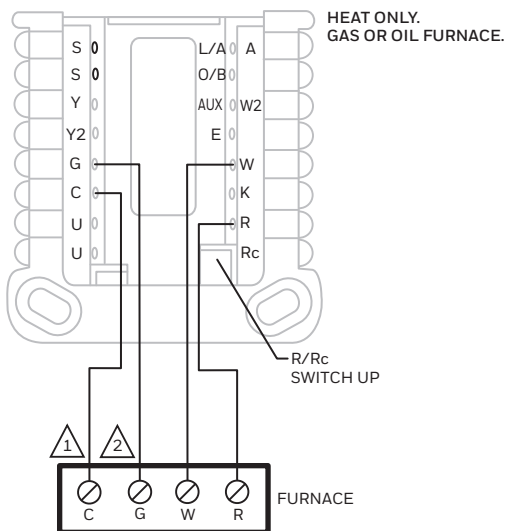
WIRING

Wiring at T10 or T10+ Without EIM

NOTES:

1. Use 18- to 22- gauge thermostat wire. Shielded cable is not required.
2. Set the R Slider Tab on the UWP to the up position (1 wire) for 1 transformer systems or the down position (2 wires) for 2 transformer systems.
3. Set the U Slider Tab to the position shown for IAQ wiring diagrams on pages 12-13.

Wiring Diagrams for T10 or T10+ Without EIM



- 1 COMMON REQUIRED.
- 2 G USED FOR INDEPENDENT FAN CONTROL ONLY. MOST HEAT ONLY, GAS OR OIL FORCED AIR SYSTEMS DO NOT USE A FAN (G) WIRE.

Fig. 15. Heat only: gas or oil furnace.

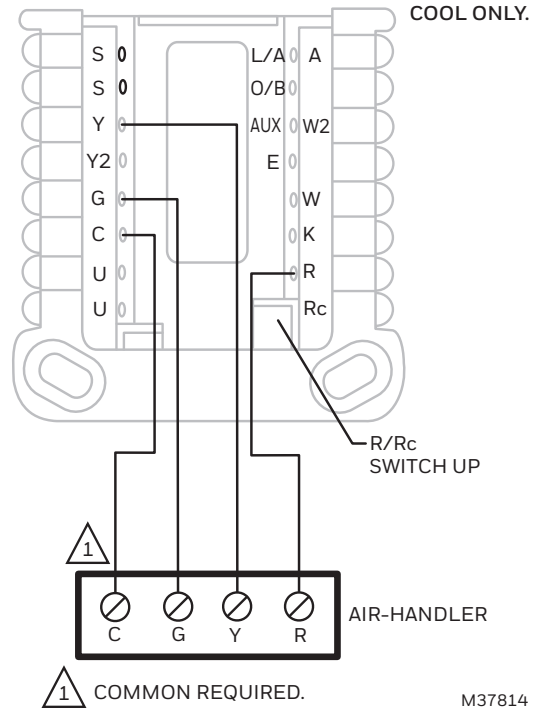


Fig. 16. Cool only.

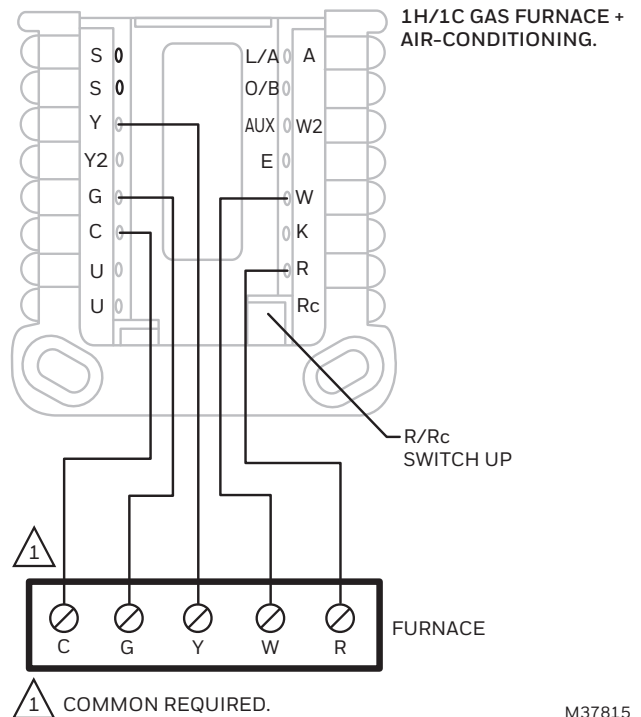


Fig. 17. 1H/1C gas furnace.

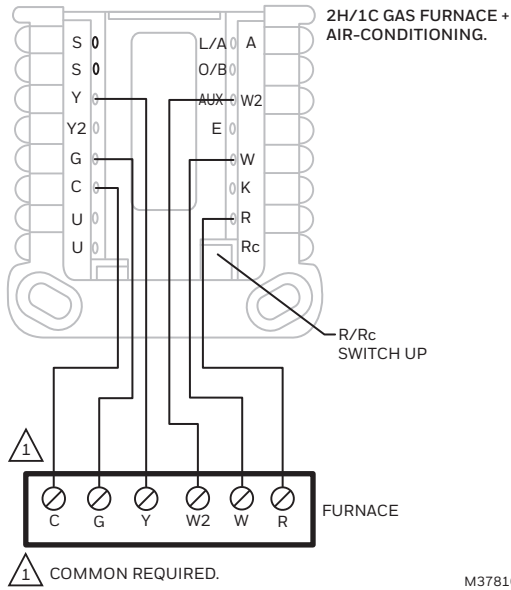


Fig. 18. 2H/1C gas furnace.

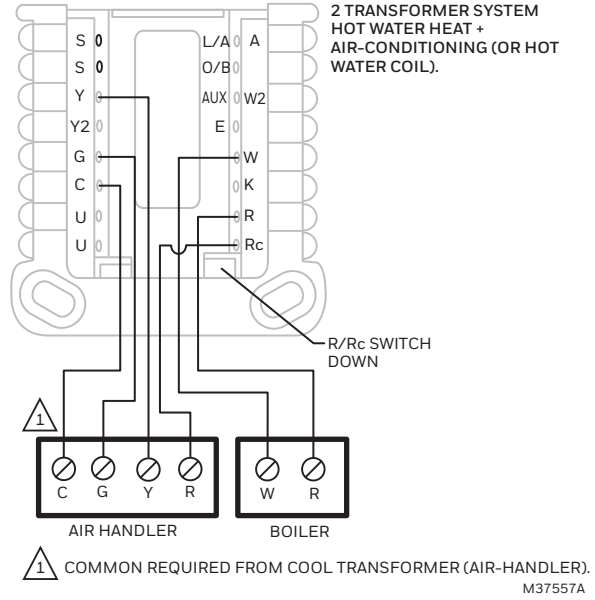


Fig. 20. 2 Transformer system; hot water heat with air-conditioning (or hot water coil).

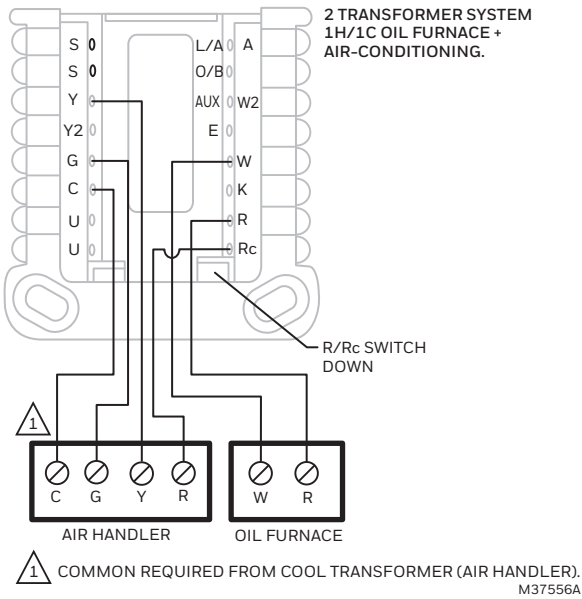


Fig. 19. 2 Transformer system; 1H/1C oil furnace.

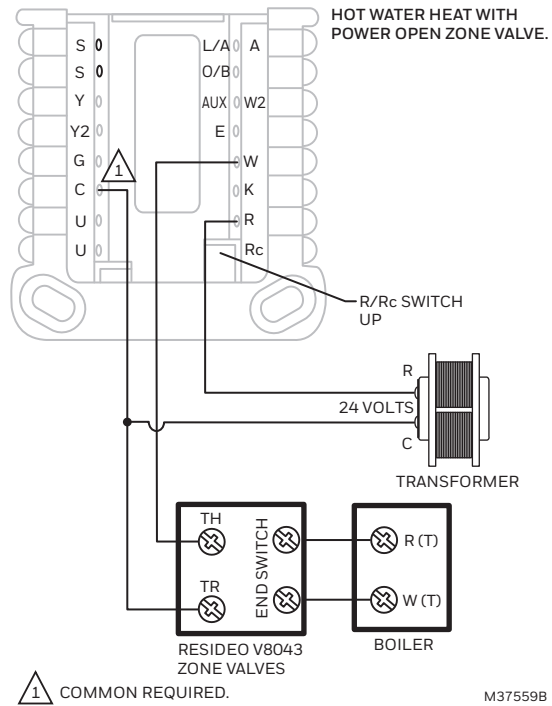


Fig. 21. Hot water heat with power open zone valve.

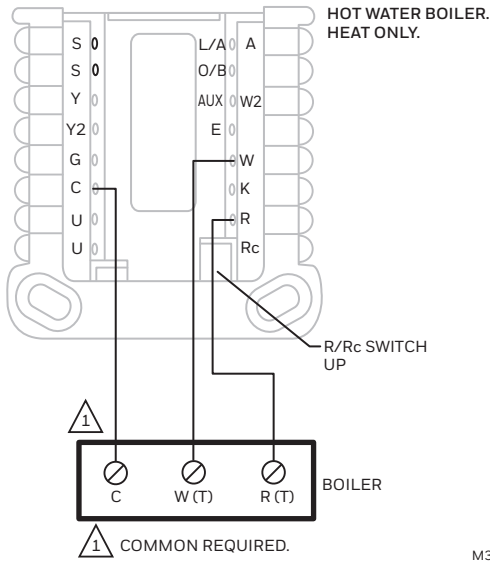


Fig. 22. Hot water boiler, heat only.

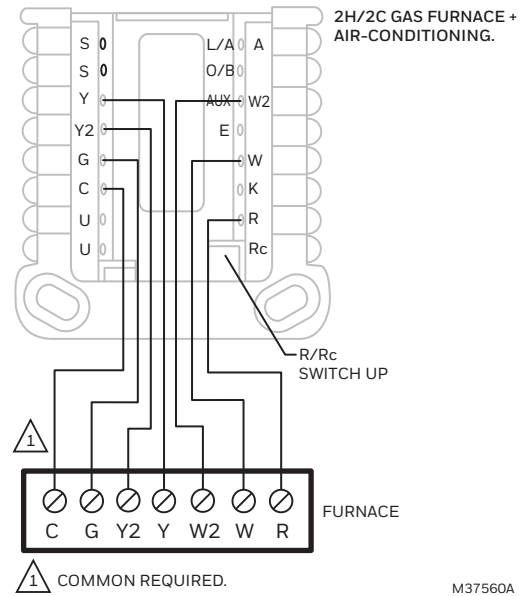


Fig. 24. 2H/2C: gas furnace.

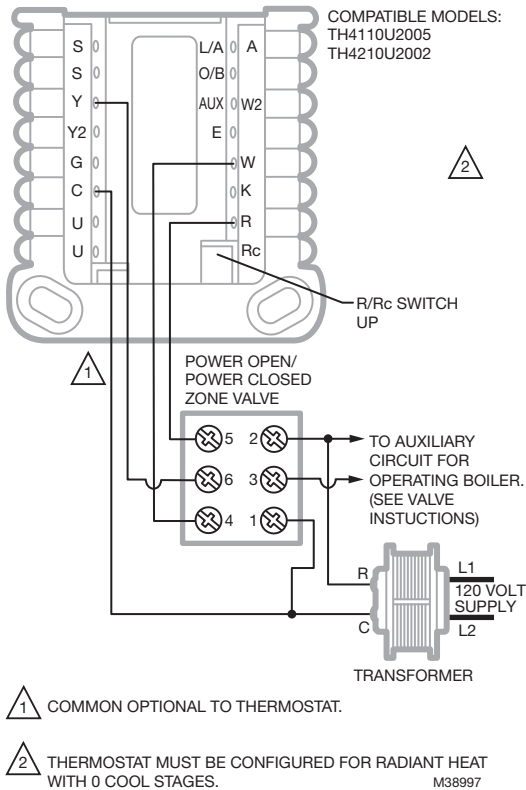


Fig. 23. Series 20 valve (power open and power closed).

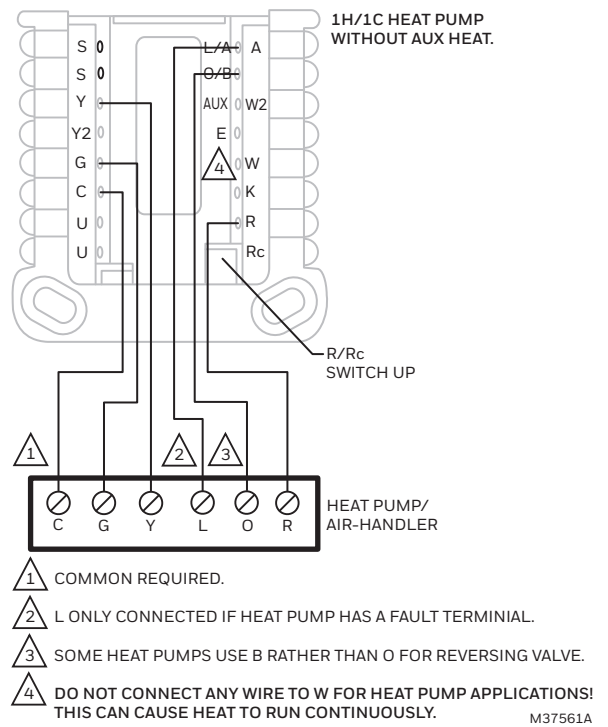
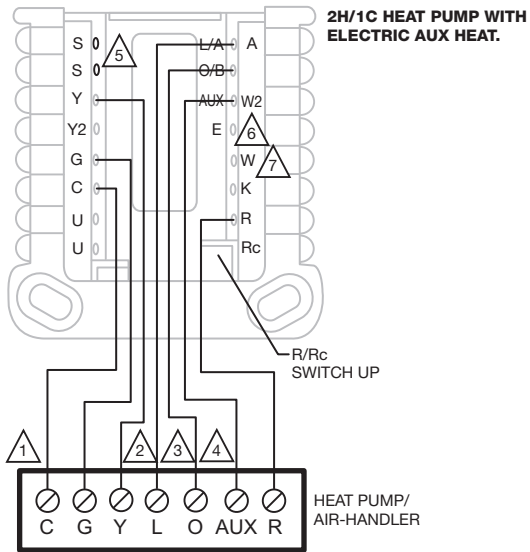
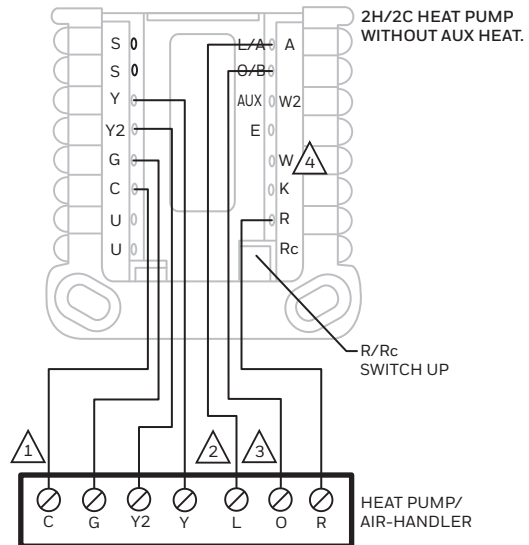


Fig. 25. 1H/1C heat pump without aux heat.



- 1 COMMON REQUIRED.
 - 2 L ONLY CONNECTED IF HEAT PUMP HAS A FAULT TERMINIAL.
 - 3 SOME HEAT PUMPS USE B RATHER THAN O FOR REVERSING VALVE.
 - 4 DIFFERENT HEAT PUMP MODELS LABEL THE AUXILIARY HEAT TERMINAL DIFFERENTLY THAN SHOWN. CONSULT HEAT PUMP WIRING GUIDE.
 - 5 LOCKOUT OF AUX HEAT ON HIGH OUTDOOR TEMPERATURE CAN BE DONE THROUGH ROUTER/INTERNET CONNECTION AND APP, WIRED OUTDOOR SENSOR OR WIRELESS OUTDOOR SENSOR.
 - 6 MOST HEAT PUMPS SHARE THE SAME SET OF HEAT STRIPS FOR AUX AND EM HEAT. IN THOSE CASES E ISN'T USED. IF SEPARATE AUX AND E WIRES ARE USED, WIRE ONE SET OF STRIPS TO E TO BE ENERGIZED IN EM HEAT AND A DIFFERENT SET OF STRIPS TO AUX TO BE ENERGIZED IN AUX HEAT.
 - 7 **DO NOT CONNECT ANY WIRE TO W FOR HEAT PUMP APPLICATIONS! THIS CAN CAUSE HEAT TO RUN CONTINUOUSLY.**
- M37820B

Fig. 26. 2H/1C heat pump with electric aux heat.



- 1 COMMON REQUIRED.
 - 2 L ONLY CONNECTED IF HEAT PUMP HAS A FAULT TERMINIAL.
 - 3 SOME HEAT PUMPS USE B RATHER THAN O FOR REVERSING VALVE.
 - 4 **DO NOT CONNECT ANY WIRE TO W FOR HEAT PUMP APPLICATIONS! THIS CAN CAUSE HEAT TO RUN CONTINUOUSLY.**
- M37563A

Fig. 27. 2H/2C heat pump without aux heat.

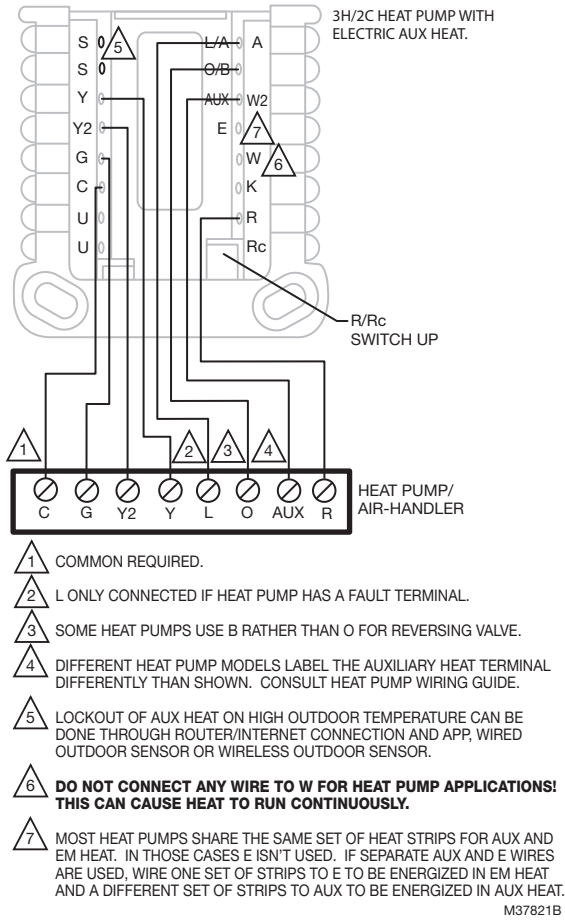


Fig. 28. 3H/2C heat pump with electric aux heat.

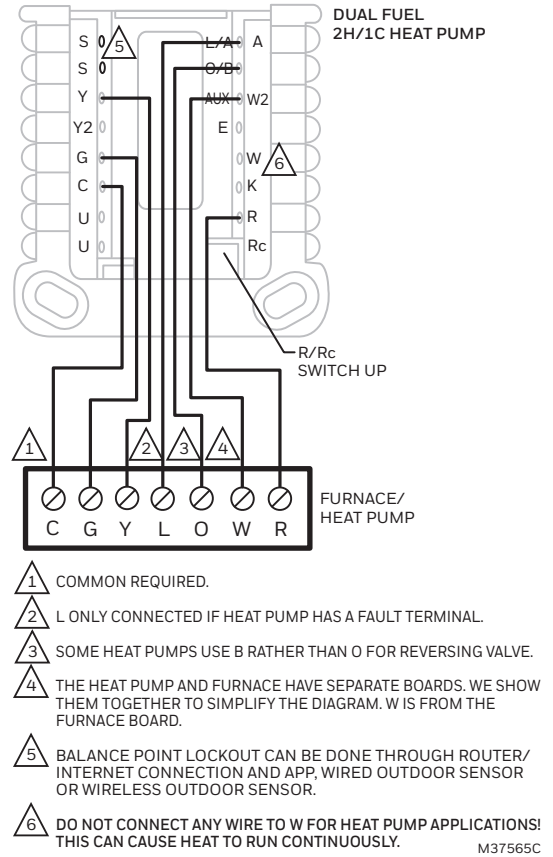


Fig. 29. Dual fuel 2H/1C heat pump.

Whole house humidifier, dehumidifier, or ventilator wiring

Using U Slider Tab

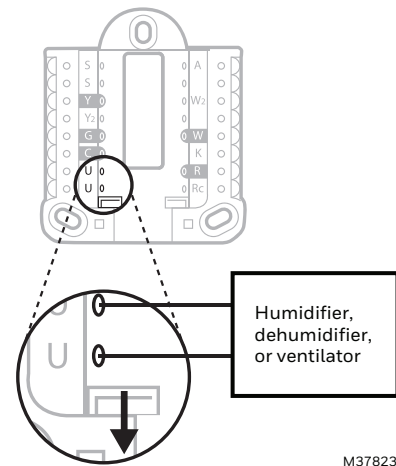


Fig. 30. Wired to humidifier, dehumidifier, or ventilator with built-in transformer.

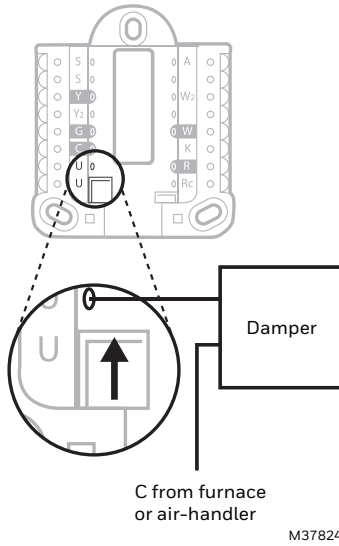


Fig. 31. Wired to fresh air damper powered by furnace transformer.

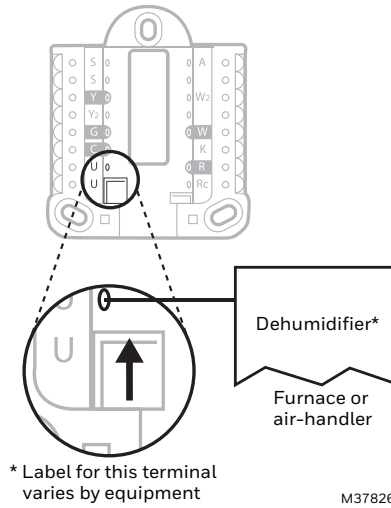


Fig. 33. Wired to low speed fan terminal on HVAC for dehumidification.

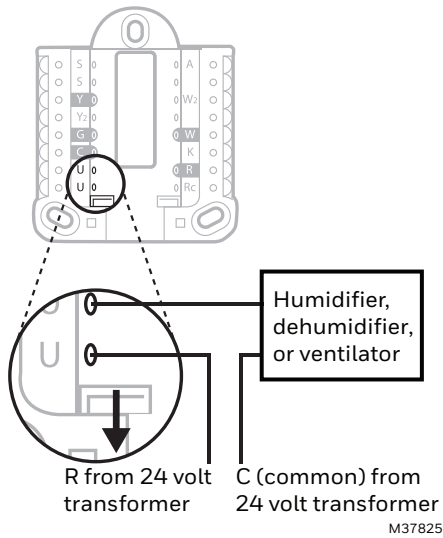


Fig. 32. Wired to humidifier, ventilator, or damper powered by external transformer.

INSTALLING EQUIPMENT INTERFACE MODULE (IF USED)

1. Mount the EIM near the HVAC equipment or on the equipment itself. Use screws and anchors as appropriate for the mounting surface.
2. To wire the EIM, strip 1/4" insulation, then insert wires (see Fig. 34. For wiring diagrams, see "EIM Wiring" on following pages.)

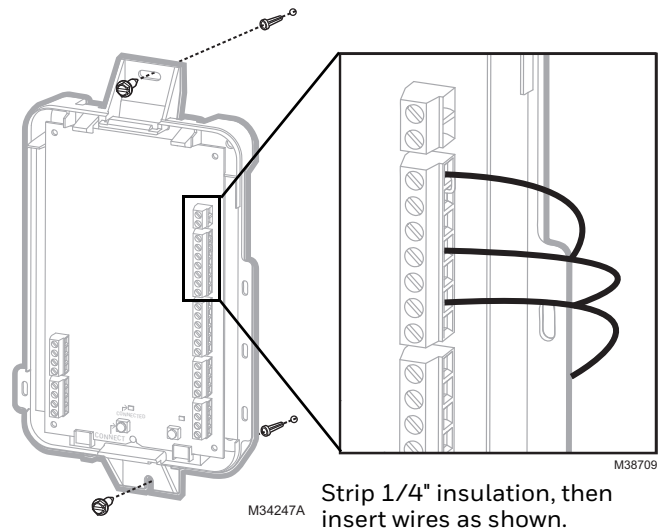
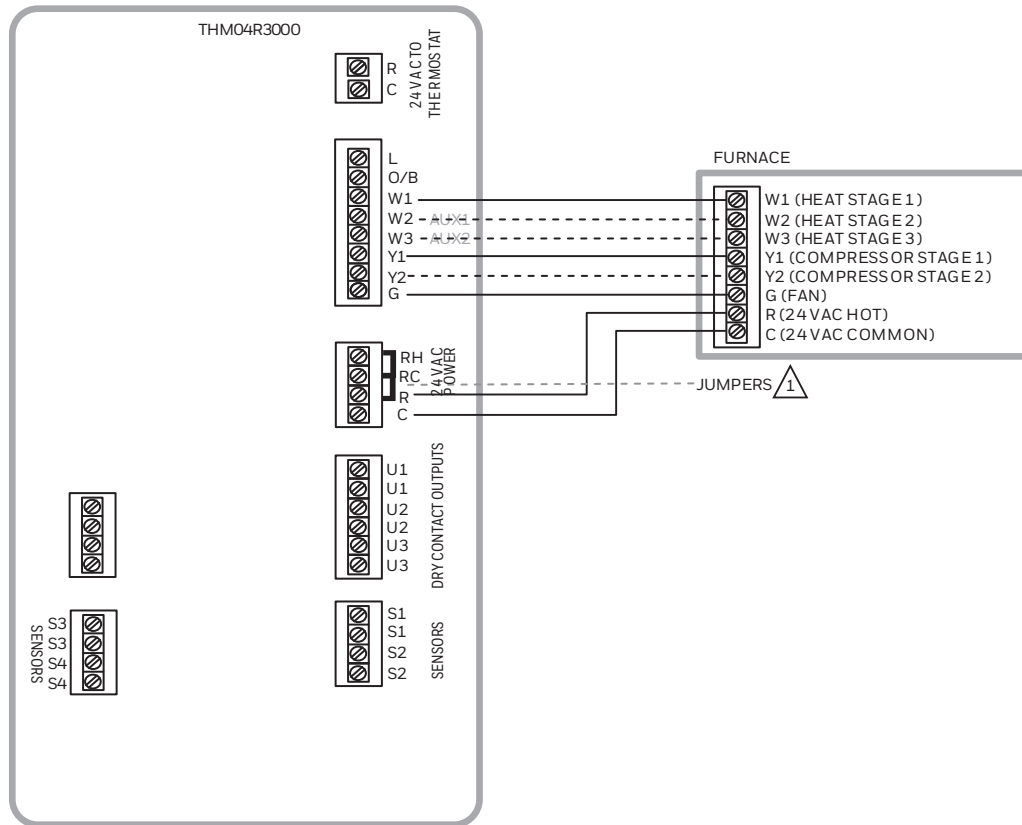


Fig. 34.

EIM Wiring Diagrams



1 REMOVE JUMPER(S) IF USING SEPARATE TRANSFORMERS.

NOTE: SEE FOLLOWING PAGES FOR ADDITIONAL THERMOSTAT WIRING GUIDELINES FOR OTHER SYSTEM TYPES, SENSOR WIRING, IAQ CONTROL, AND OTHER DRY CONTACT WIRING OPTIONS.

M38714

Fig. 35. Typical wiring of a conventional system with up to 3 stage heat and 2 stage cool with one transformer.

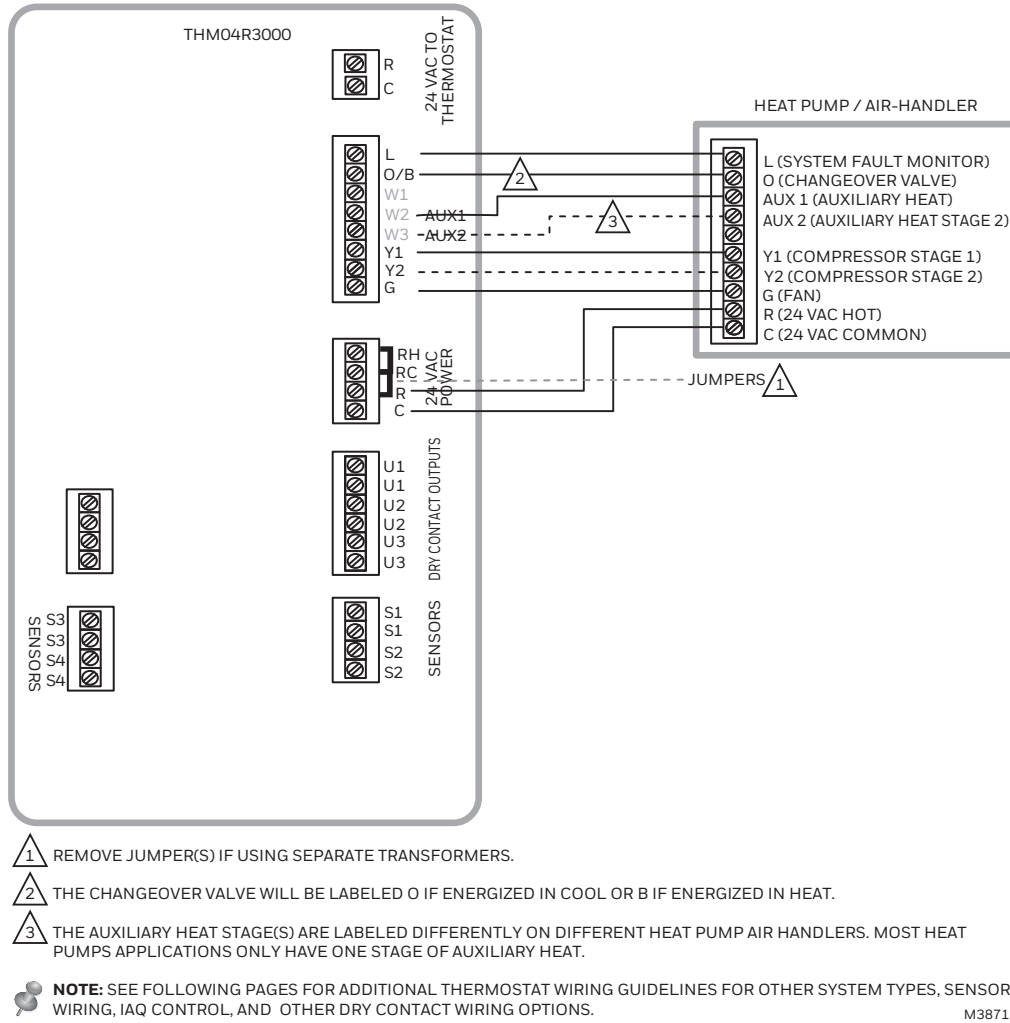
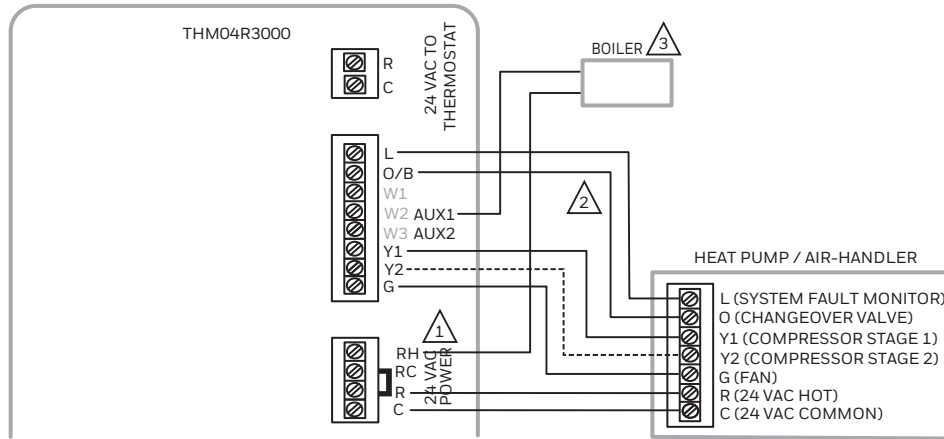


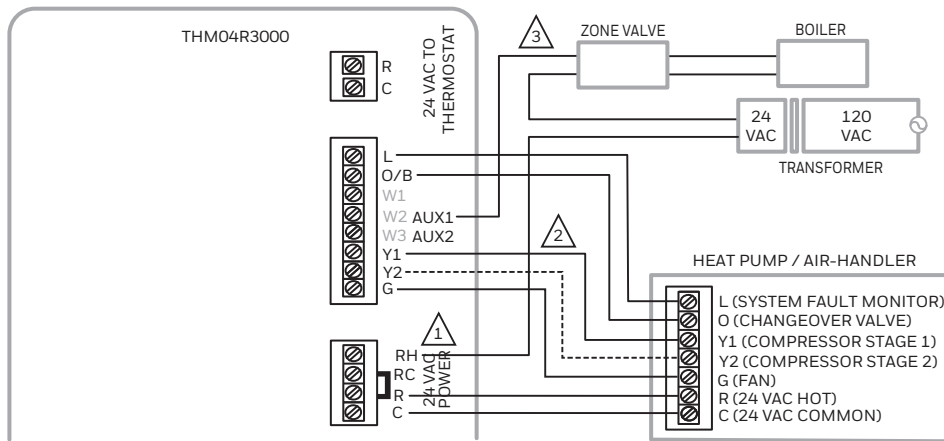
Fig. 36. Typical wiring of a heat pump system with up to four-stage heat and two-stage cool with one transformer.



- 1 REMOVE JUMPER SINCE THE BOILER HAS A SEPARATE TRANSFORMER THAN THE HEAT PUMP.
- 2 THE CHANGEOVER VALVE WILL BE LABELED O IF ENERGIZED IN COOL OR B IF ENERGIZED IN HEAT.
- 3 IF USING A HOT WATER RELAY PANEL, THE WIRES SHOWN GOING TO THE BOILDER WOULD INSTEAD WIRE TO R AND W ON ONE OF THE ZONES OF THE PANEL.

NOTE: SEE FOLLOWING PAGES FOR ADDITIONAL THERMOSTAT WIRING GUIDELINES FOR OTHER SYSTEM TYPES, SENSOR WIRING, IAQ CONTROL, AND OTHER DRY CONTACT WIRING OPTIONS. M39207

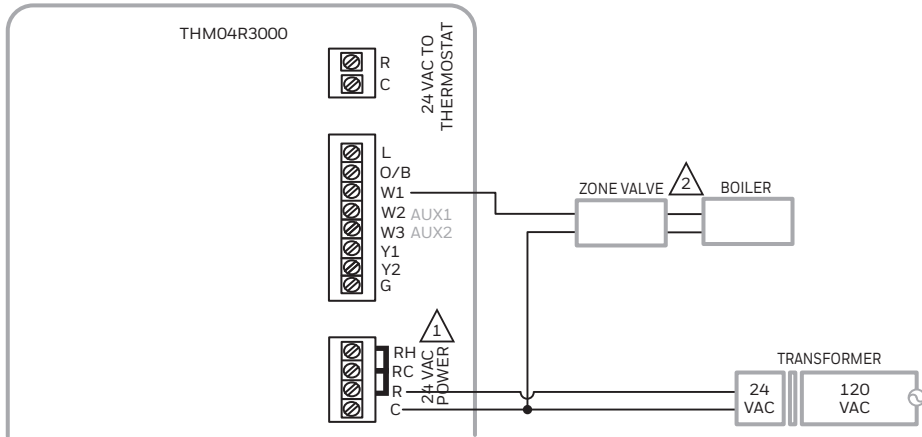
Fig. 37. Typical wiring of a heat pump system with boiler back up.



- 1 REMOVE JUMPER SINCE THE VALVE IS POWERED BY A SEPARATE TRANSFORMER THAN THE HEAT PUMP.
- 2 THE CHANGEOVER VALVE WILL BE LABELED O IF ENERGIZED IN COOL OR B IF ENERGIZED IN HEAT.
- 3 THE WIRES THAT POWER THE VALVE ARE SHOWN ON THE LEFT SIDE OF THE VALVE. THE END-SWITCH WIRES FROM THE VALVES GO TO THE BOILER.

NOTE: SEE FOLLOWING PAGES FOR ADDITIONAL THERMOSTAT WIRING GUIDELINES FOR OTHER SYSTEM TYPES, SENSOR WIRING, IAQ CONTROL, AND OTHER DRY CONTACT WIRING OPTIONS. M39208

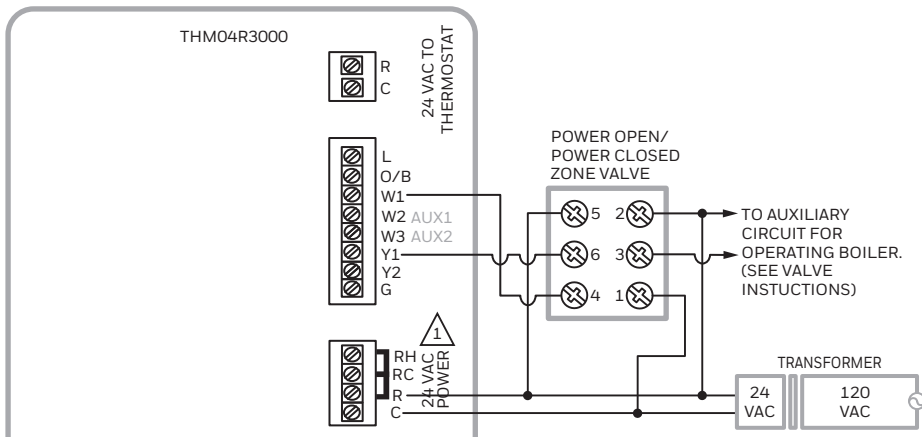
Fig. 38. Typical wiring of a heat pump system with a zone valve for back up heat.



- 1 IF ALSO CONTROLLING COOLING WITH A SEPARATE TRANSFORMER, REMOVE RH JUMPER. WIRE THE VALVE TRANSFORMER TO RH AT EIM. VALVE TRANSFORMER C WOULD NOT WIRE TO EIM. COOLING TRANSFORMER WIRES TO R AND C WITH R TO RC JUMPER INSTALLED.
- 2 THE WIRES THAT POWER THE VALVE ARE SHOWN ON THE LEFT SIDE OF THE VALVE. THE END-SWITCH WIRES FROM THE VALVES GO TO THE BOILER.
- 3 IF USING AN AC112-01 OR EQUIVALENT SLAB SENSOR, WIRE THAT TO ANY OF THE 4 SETS OF S TERMINALS ON EIM AND MAKE SURE THE ISE SETTINGS MATCH THE WIRING.

M39209

Fig. 39. Typical wiring of a spring-closed, power-open zone valve with end-switch.

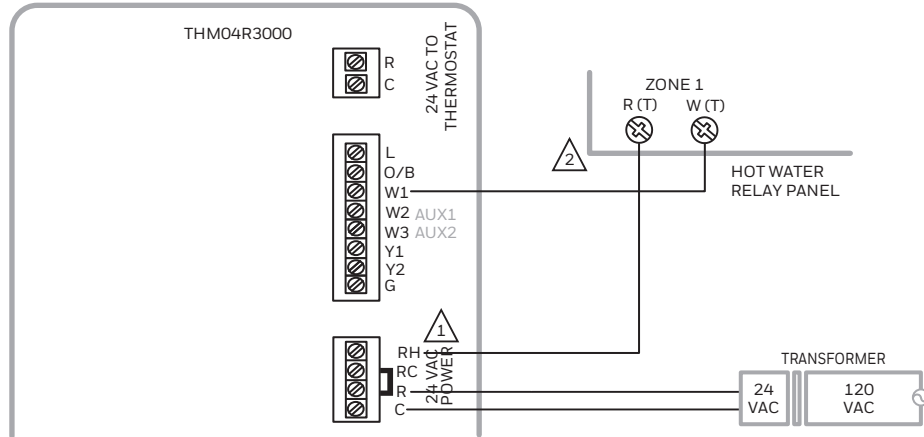


- 1 IF ALSO CONTROLLING COOLING WITH A SEPARATE TRANSFORMER, REMOVE RH JUMPER. WIRE THE VALVE TRANSFORMER TO RH AT EIM. VALVE TRANSFORMER C WOULD NOT WIRE TO EIM. COOLING TRANSFORMER WIRES TO R AND C WITH R TO RC JUMPER INSTALLED.
- 2 IF USING AN AC112-01 OR EQUIVALENT SLAB SENSOR, WIRE THAT TO ANY OF THE 4 SETS OF S TERMINALS ON EIM AND MAKE SURE THE ISE SETTINGS MATCH THE WIRING.

NOTE: SEE FOLLOWING PAGES FOR ADDITIONAL THERMOSTAT WIRING GUIDELINES FOR OTHER SYSTEM TYPES, SENSOR WIRING, IAQ CONTROL, AND OTHER DRY CONTACT WIRING OPTIONS.

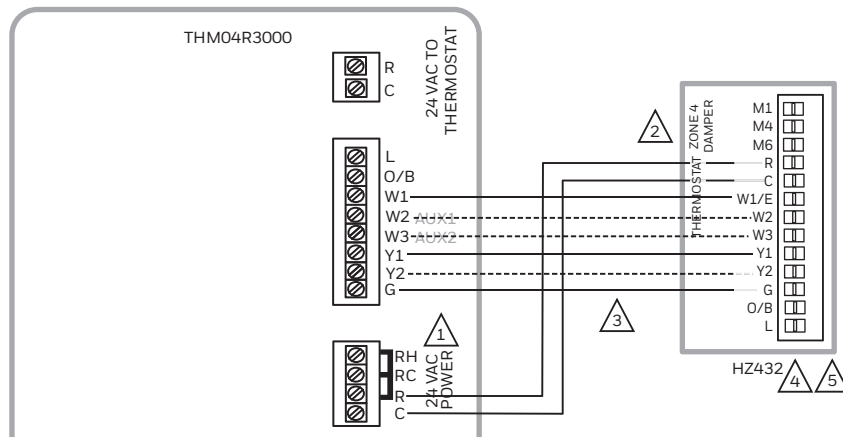
M39210

Fig. 40. Typical wiring a series 20, power-open/power closed zone valve.



- 1 RH JUMPER REMOVED. EIM POWERED BY A SEPARATE TRANSFORMER.
 - 2 IF USING AN AC112-01 OR EQUIVALENT SLAB SENSOR FOR THE ZONE CONTROLLED BY THE THERMOSTAT, WIRE THAT TO ANY OF THE 4 SETS OF S TERMINALS ON EIM AND MAKE SURE THE ISE SETTINGS MATCH THE WIRING.
- M39211

Fig. 41. Typical wiring EIM to a hot water relay panel.



- 1 R to Rc JUMPER REMOVED IF EIM IS POWERED BY A SEPARATE TRANSFORMER.
 - 2 ZONE 4 IS SHOWN IN THIS DRAWING. THE EIM CAN WIRE TO ANY ZONE ON THE TRUEZONE PANEL.
 - 3 DOTTED LINES FOR MUTLISTAGE ONLY.
 - 4 WIRE THE DAMPERS, TRANSFORMER AND HVAC TO ZONE PANEL AS SHOWN IN ZONE PANEL INSTALLATION GUIDE.
 - 5 IT IS NOT RECOMMENDED TO USE A DISCHARGE SENSOR WITH THE EIM ON A ZONED SYSTEM. A DISCHARGE SENSOR CAN BE WIRED TO THE ZONE PANEL FOR HIGH AND LOW LIMIT TEMPERATURE PROTECTION.
- M39212

Fig. 42. Typical wiring EIM to a Resideo TrueZONE forced air zone panel for conventional heat.

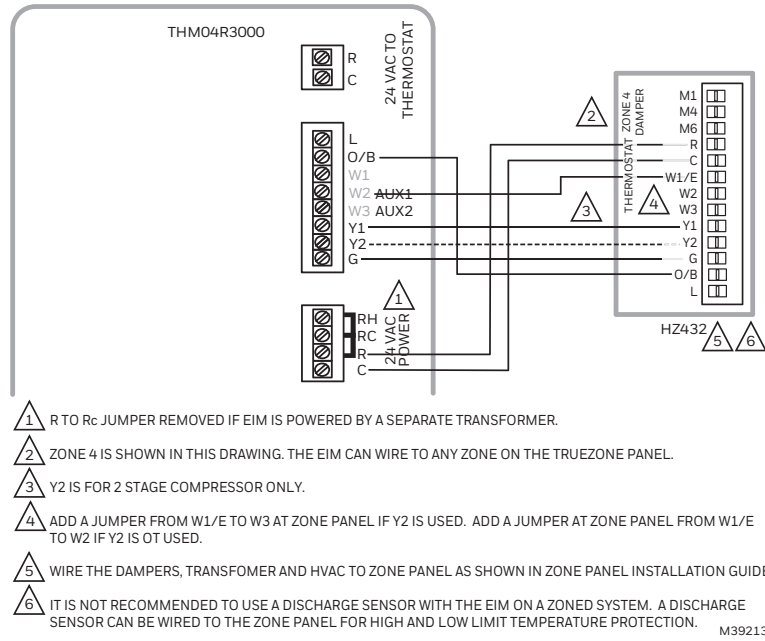


Fig. 43. Typical wiring EIM to a Resideo TrueZONE forced air zone panel for heat pump with electric aux heat application.

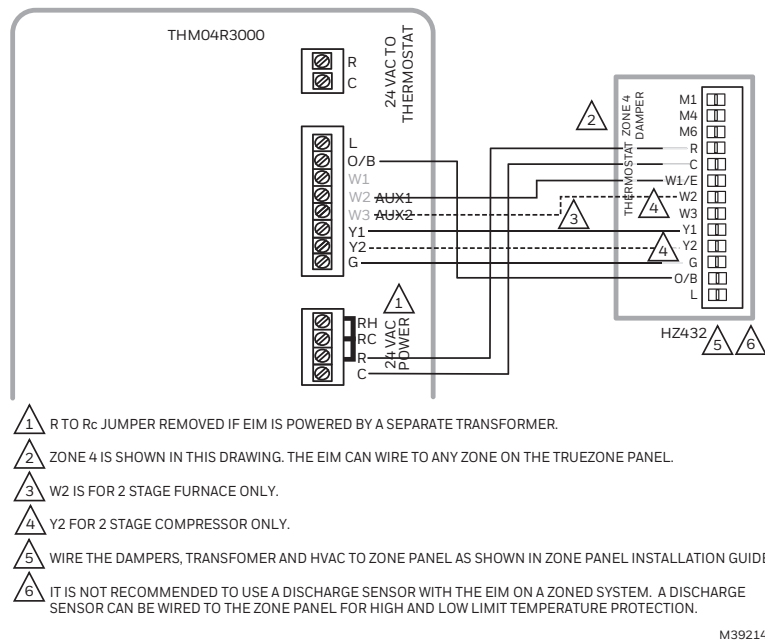


Fig. 44. Typical wiring EIM to a Resideo TrueZONE forced air zone panel for dual fuel heat pump application

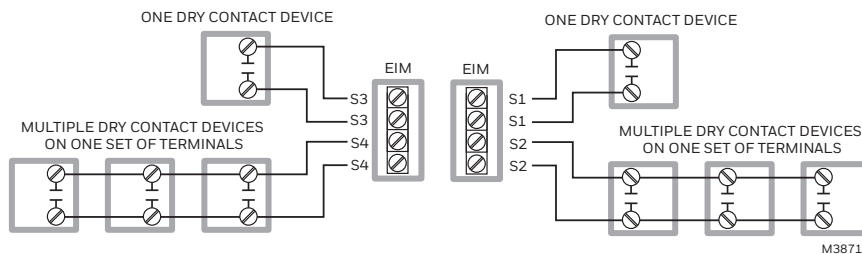
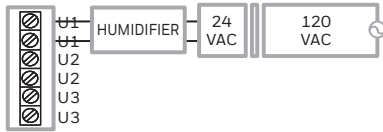
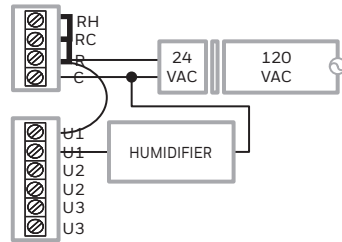


Fig. 45. Dry contact alerts.

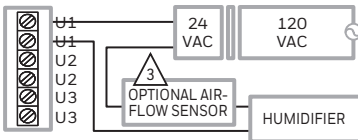
TYPICAL HOOKUP OF HUMIDIFIER WITH BUILT-IN TRANSFORMER



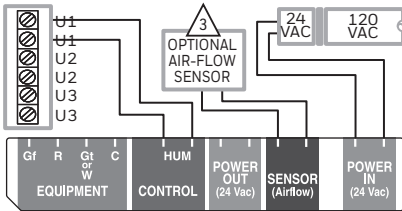
TYPICAL HOOKUP OF HUMIDIFIER POWERED BY HVAC TRANSFORMER



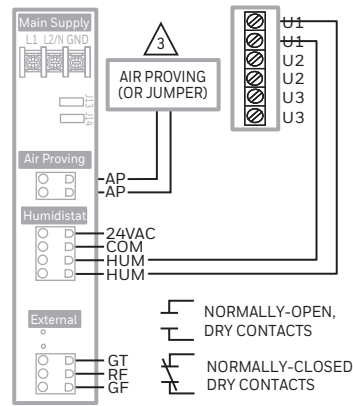
TYPICAL HOOKUP OF A BASIC BYPASS HUMIDIFIER POWERED BY A DEDICATED TRANSFORMER



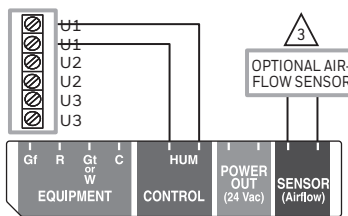
TYPICAL HOOKUP OF AN ADVANCED BYPASS HUMIDIFIER POWERED BY A DEDICATED TRANSFORMER



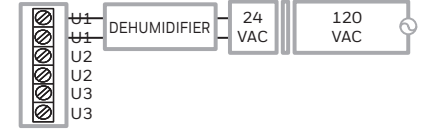
TYPICAL HOOKUP OF AN HM750 STEAM HUMIDIFIER



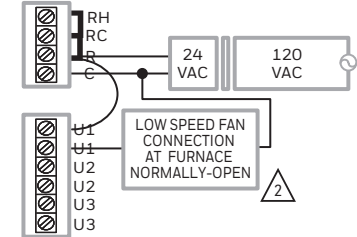
TYPICAL HOOKUP OF AN EVAPORATIVE FAN HUMIDIFIER WITH BUILT-IN TRANSFORMER



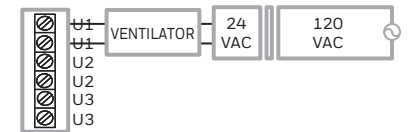
TYPICAL HOOKUP OF WHOLE HOUSE DEHUMIDIFIER



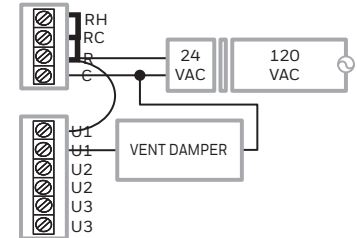
TYPICAL HOOKUP OF VARIABLE SPEED BLOWER FOR DEHUMIDIFICATION IN LOW SPEED



TYPICAL HOOKUP OF VENTILATION WITH BUILT-IN TRANSFORMER



TYPICAL HOOKUP OF VENT DAMPER POWERED BY HVAC TRANSFORMER



- 1 ANY COMBINATION OF RELAYS (U1, U2, U3) CAN BE USED. THEY ARE SET IN THE THERMOSTAT INSTALLER SETUP.
- 2 WIRE THE U RELAY TO THE LOW SPEED FAN FOR DEHUMIDIFICATION CONTROL AT THE EQUIPMENT. THE EIM RELAY CAN BE SET TO BE NORMALLY- OPEN OR NORMALLY-CLOSED IN THE THERMOSTAT INSTALLER SETUP.
- 3 AN OPTIONAL 50027910-001 AIR-FLOW SWITCH (AFS) OR IS RECOMMENDED TO ENSURE AIR FLOW WHEN THE HUMIDIFIER IS RUNNING. IF THE AFS IS USED, SET DIP SWITCH 1 TO OFF (LEFT). THE T10+ CAN BE CONFIGURED TO ONLY RUN THE HUMIDIFIER WITH A CALL FOR HEAT OR FAN, SO THE AFS WOULD ONLY BE NEEDED TO ENSURE NO WATER FLOW THROUGH THE HUMIDIFIER PAD IF THERE IS A FAN FAILURE. THE T10+ CAN ALTERNATELY BE CONFIGURED FOR A FAN FAILURE ALERT (ISU 6000, 6150 AND 6160).

M39216

Fig. 46. "U" terminals can be used for humidification, dehumidification or ventilation.

Linking the T10+ to an Optional EIM

1. When the T10+ is powered, follow the onscreen prompts until it says “Do you have an Equipment Interface Module (EIM)?”. Select **Yes, I have an EIM**.

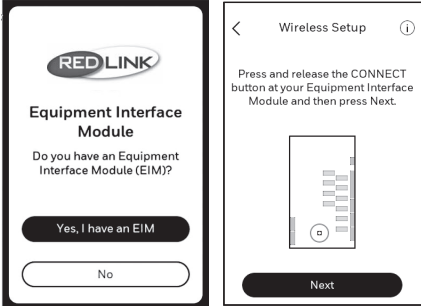


Fig. 47.

2. Press and release the **CONNECT** button at the EIM when the thermostat prompts you. Make sure the “Connected” lights is flashing green. The EIM will continue to flash the connected light for 15 minutes and reset this timer every time a new RedLINK 3.0 device is added.

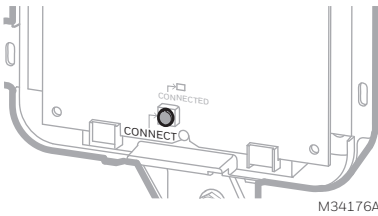


Fig. 48.

NOTE: If the “CONNECTED” light does NOT flash green, another system may be in the listening mode. Please exit the listening mode at the other system and then try again.

- Green Flashing: In Listening Mode. System is ready to add RedLINK 3.0 devices.
 - Green Steady: RedLINK 3.0 devices are communicating.
 - Red: RedLINK 3.0 device(s) are not communicating. Check EIM and RedLINK devices.
3. Return to the thermostat and press **Next** (shown in the left image below).

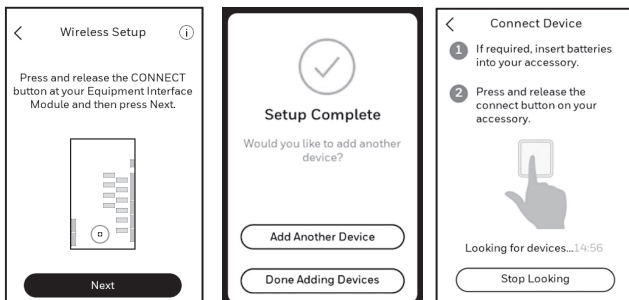


Fig. 49.

4. Adding RedLINK 3.0 Accessories to the T10 or T10+ Thermostat.

NOTE: The EIM and wireless outdoor sensor can only be connected to a T10+. The T10 installation will skip the EIM section and go directly to the wireless indoor sensor during initial setup.

5. Select **Add Another Device** and follow the prompts on screen.
6. Install batteries in RedLINK 3.0 accessories.
 - Wireless Outdoor Sensor RedLINK 3.0 C7089R3013 (T10+ only).
 - Wireless Indoor Sensor (C7189R3002 or C7189R2002)
7. Connect each RedLINK 3.0 accessory.

NOTE: Make sure RedLINK 3.0 accessories are at least 2 feet away from the thermostat (or EIM if used) during the linking process.

8. While the “Connect Device” screen is displayed (listening mode), press and quickly release the **CONNECT** button on each new RedLINK 3.0 accessory.
9. After a short delay (up to 20 seconds), check the thermostat to confirm the connection of each RedLINK 3.0 accessory.

NOTE: If adding a wireless indoor sensor or wireless outdoor sensor (outdoor on T10+ only) after the initial setup has been completed, go to Menu > Installer Options > Devices and Sensors, and select **Add**.

10. Follow the instructions on thermostat screen. After each RedLINK 3.0 accessory is added and any follow up questions are set, the thermostat will ask if you want to add another device or are done adding devices.

NOTE: Examples of follow up questions and instructions for the wireless indoor sensor shown below.

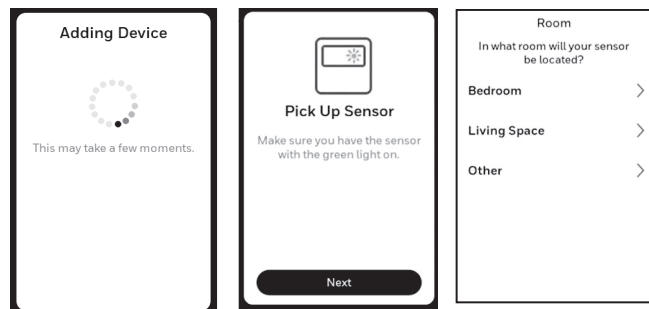


Fig. 50.

11. Once all RedLINK 3.0 accessories have been added and you have completed the on screen follow up questions and instructions, the display will say “Setup Complete.” Select **Done Adding Devices**.

- Follow the onscreen display instructions to complete system setup for heating and cooling type, humidifier, dehumidifier, ventilator settings, etc.

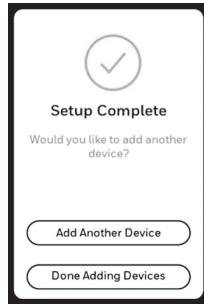


Fig. 51.

To Replace the Equipment Interface Module (EIM)

When you replace an EIM, you must reset the RedLINK 3.0 accessories before connecting them to the new thermostat. Follow the instructions below:

At the Indoor Sensor or other RedLINK 3.0 accessory:
Press and hold the **CONNECT** button on the accessory until the status light glows amber (hold for about 10 seconds). To reconnect the thermostat, go to Step 4.

At the thermostat:
Go to **Installer Options**, choose **Reset**, then **Factory reset**. This will clear the EIM and any other RedLINK 3.0 devices from T10+ as well as the system settings. After doing Factory Reset, follow thermostat prompts to link new EIM and configure system settings.



Fig. 52.

To replace a T10+ connected to an EIM

Press and hold the connect button on the EIM until the connect light turns amber approximately 10 seconds. This should clear the EIM from the thermostat and any RedLINK 3.0 accessories. Then it is ready to be connected to a new T10+ thermostat using the original setup process.

NOTE: The new T10+ will also guide you through the setup steps during initial setup when you choose that you have an EIM.

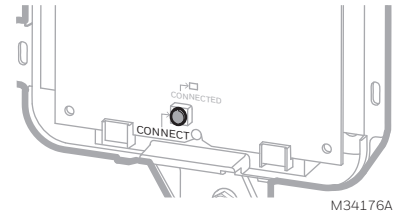


Fig. 53.

SENSOR INSTALLATION

Wireless Indoor Sensor Installation

C7189R2002 or C7189R3002 Wireless Indoor Sensor

- Remove white cover from grey base and Insert (2) AAA Alkaline batteries in the sensor.

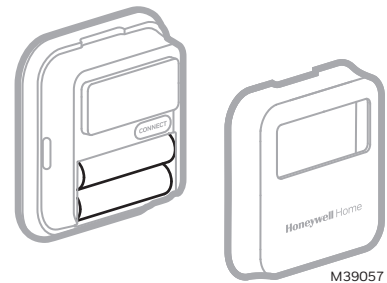


Fig. 54.

- Open the **Menu**.
- Tap **Devices & Sensors**.
- Tap **Add**.
- Follow the on-screen instructions.

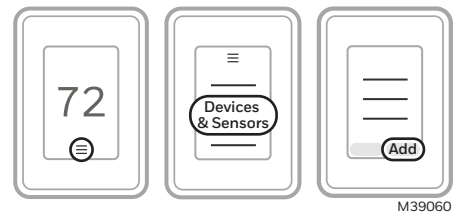
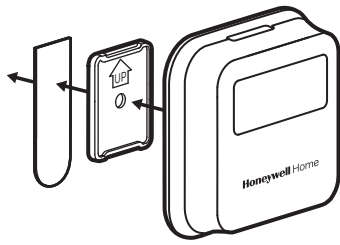


Fig. 55.

- Snap the sensor onto the wall-plate.

- Adhere the included command strip to the wall-plate. Then adhere the sensor to the wall. Level sensor for appearance. (See the sensor instructions for proper placement.)



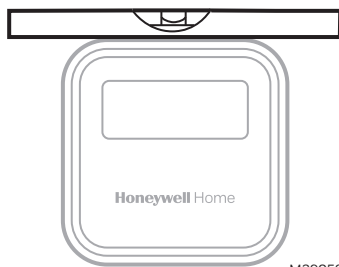
M39058

Fig. 56.

Placement Tips

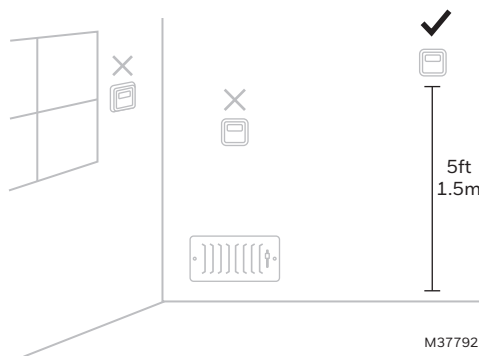
- DO place about 5 feet above the floor.
- DO place on inside walls.
- DON'T place behind furniture or doors.
- DON'T place in direct sunlight.
- DON'T place above air vents.

See Fig. 58.



M39059

Fig. 57.



M37792

Fig. 58.

These sensors can be linked to the thermostat when doing the initial Installer setup or at a later date.

- During initial installer setup, the thermostat will offer setup options under “RedLINK Devices” for “Add device” or “Set up later”.
- To add a sensor after initial setup has been done, select the **Menu** icon, then **Devices & Sensors**, then **Add**.
 - The display screen will walk you through linking and naming the sensor.

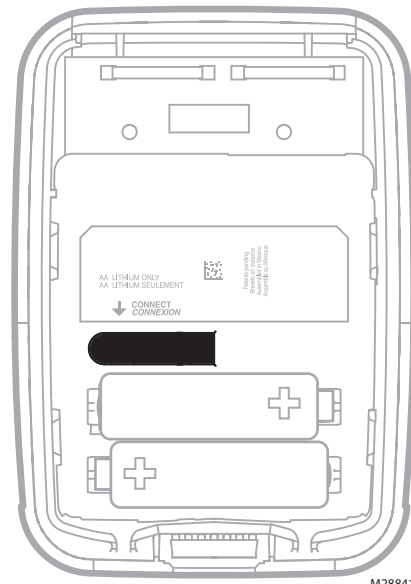
Wireless Outdoor Sensor Installation

C7089R3013 Wireless Outdoor Sensor

The C7089R3013 wireless outdoor temperature & humidity sensor can be used with up to eight T10+ thermostats. (Not the T10 models) for heat pump compressor lockouts, aux heat lockouts, humidity frost control, and ventilation lockouts. Alternately, Internet weather could be used for these lockouts. A wired outdoor sensor can be used for all outdoor lockouts other than high dewpoint lockout for ventilation.

Connecting Wireless Outdoor Sensor (T10+)

When the T10+ thermostat is in the wireless setup mode and prompts you to do so, press and quickly release the **CONNECT** button on the Wireless Outdoor Sensor. After a short delay (up to 15 seconds), the thermostat will display “Wireless Outdoor Sensor Added.”



M28847

Fig. 59. Wireless outdoor sensor connect button.

Mount Outdoor Sensor

1. Mount the sensor on a vertical exterior wall, at least 6 inches below any overhang. Choose a location protected from direct sunlight.

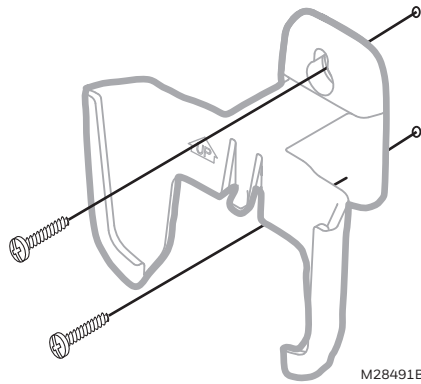


Fig. 60.

2. Place sensor securely in bracket, facing away.

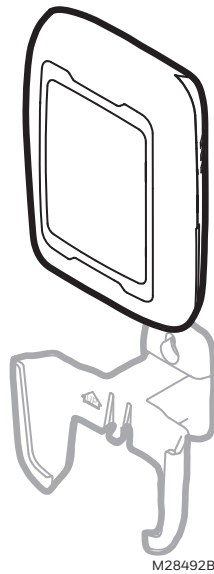


Fig. 61.

Selecting Return Air Temperature Sensor Mounting Location

NOTE: When the return sensor is used with T10+ & EIM, If there's a communication loss with the thermostat, the backup algorithm will turn on heating stages if the return air temperature is < 56.0°F and run until the return air temperature reaches 58°F.

The backup algorithm will turn on cooling stages if the return air temperature is > 88.0°F and run until the return air temperature reaches 86°.

Install the Return Air Temperature Sensor on the return duct in a location where the air is mixed well. Mount the Return Air Temperature Sensor downstream of a Bypass Humidifier, Dehumidifier or Ventilator. See Fig. 62–66.

Selecting Discharge Air Temperature Sensor Mounting Location

1. Mount the Discharge Air Temperature Sensor on the supply duct in a location where the air is mixed well. Mount the Discharge Air Temperature Sensor out of sight of the A-Coil/Heat Exchanger when possible. See Fig. 62.
2. When possible, mount the Discharge Air Temperature Sensor upstream of a Steam Humidifier, a Fan Powered Humidifier or a Dehumidifier that is ducted to the supply. See Fig. 63–64.
3. Resideo does not recommend wiring a discharge sensor to the EIM in a zoned system. A discharge air sensor can wire to a Resideo TrueZONE panel and the panel will do the high/low limit protection for the system.
4. If space does not allow a Discharge Air Temperature Sensor upstream of a Steam Humidifier or Fan Powered Humidifier, mount the Discharge Air Temperature Sensor downstream of the Humidifier.

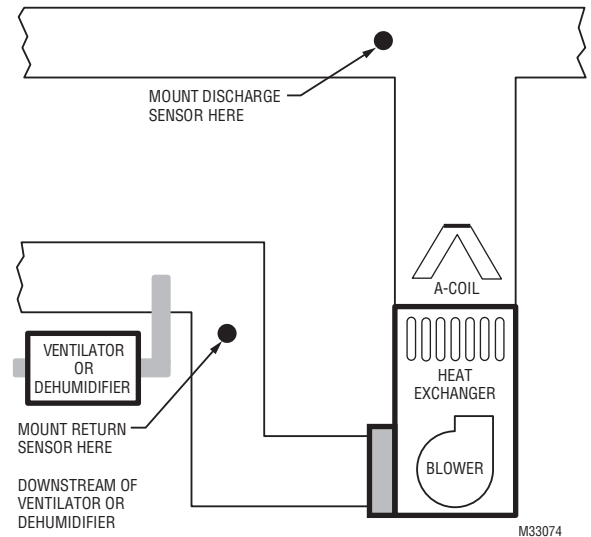


Fig. 62.

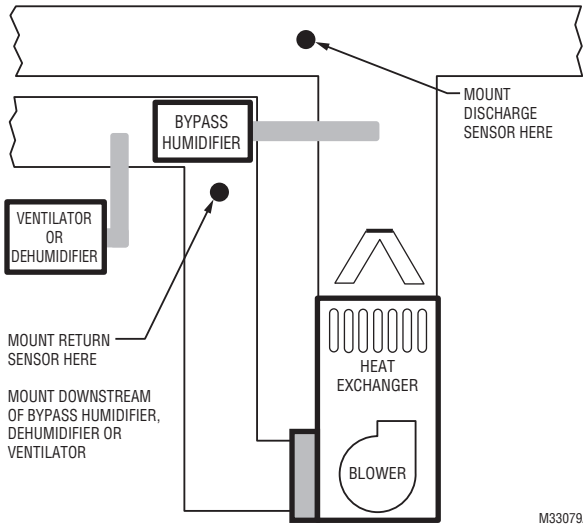


Fig. 63.

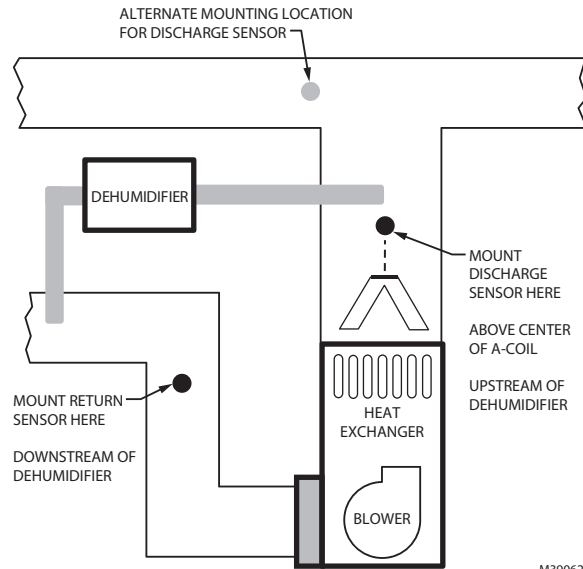


Fig. 65.

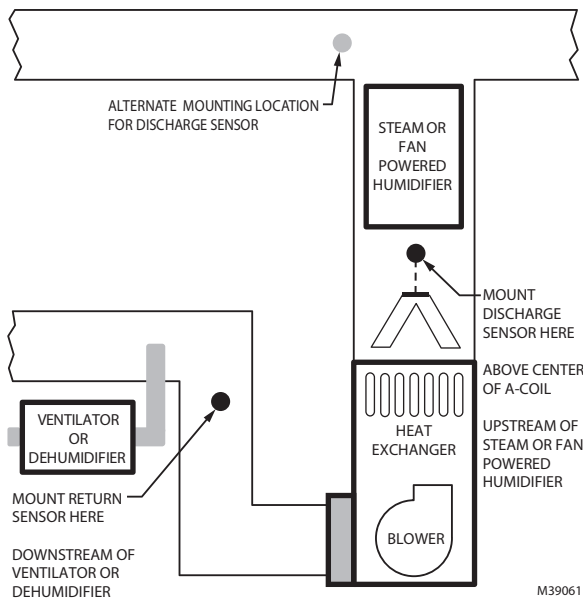


Fig. 64.

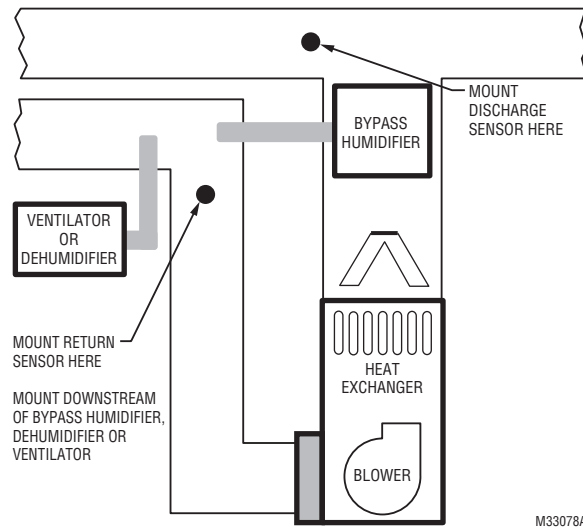


Fig. 66.

Installing Discharge and/or Return Air Temperature Sensors (T10+ only)

Use the following steps to mount the Discharge/Return Air Sensors:

1. Attach plastic cover to the sensor probe.
2. Drill 1/4-inch hole for the sensor probe and mount it to the ductwork with enclosed screws (see Fig. 67).
3. Connect wires to S1, S2, S3, or S4 terminals at the EIM or S terminals at T10+ when EIM is not used.
4. Configure the T10+ thermostat for discharge and/or return sensor.

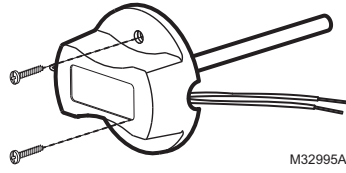


Fig. 67. Mounting Discharge/Return Air Sensor.

Installing Wired Indoor Sensor

C7189U1005 (10K) Wired Indoor Sensor

ISU setting 5000.

Use the following steps to mount the sensor:

1. Remove the cover from the remote sensor. See Fig. 68.

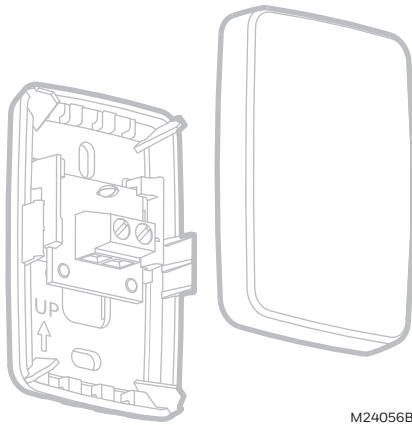


Fig. 68. Remove the cover.

2. Pull wires through wire hole.
3. Position wallplate on wall, level and mark screw hole positions with pencil.
4. Drill holes at marked positions, then tap in supplied wall anchors.
5. Place wallplate over anchors, insert and tighten mounting screws see Fig. 69.

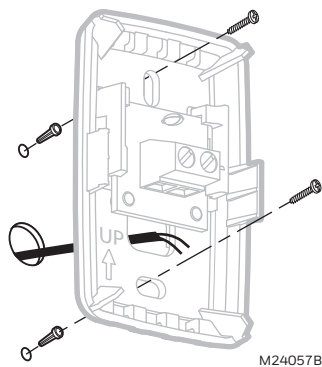


Fig. 69. Mount wallplate to wall.

6. Replace the cover on the remote sensor.



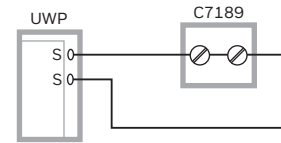
CAUTION

Electrical Shock Hazard.

Can cause electrical shock or equipment damage.

Disconnect power supply before connecting wiring.

Wiring 1 C7189U1005 sensor (10k ohm) for temperature control. Select 10K in the Installer Setup (ISU 5030) when using C7189U1005 sensor(s).

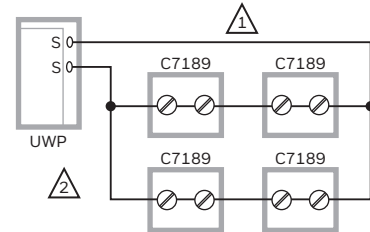


NOTE: IF EIM IS USED, WIRE TO ANY OF THE AVAILABLE SETS OF S (S1, S2, S3, S4)
M39063

Fig. 70. Wiring 1 C7189 sensor.

Wiring 4 C7189U1005 sensors (10k ohm) for temperature averaging network. Select 10K in the Installer Setup (ISU 5030) when using C7189U1005 sensor(s).

NOTE: If EIM is used, wire to any of the available sets of S (S1, S2, S3, S4).



1 THE NUMBER OF C7189U SENSORS MUST BE A SQUARE NUMBER (1, 4, 9, 16, ETC.)

2 IF EIM IS USED, WIRE TO ANY OF THE AVAILABLE SETS OF S (S1, S2, S3, S4)
M39064

Fig. 71. Wiring 4 C7189U sensors.

NOTE: If EIM is used, wire to any of the available sets of S (S1, S2, S3, S4).

Installing Wired Outdoor Sensor

See ISU 1060 “Outdoor Temperature” on page 32 for correct thermostat configuration.

Follow instructions included with C7089U1006 wired outdoor sensor.

Location and Mounting (Fig. 72)

Mount the sensor where:

- cannot tamper with settings.
- there is good air circulation.
- it can measure true outdoor ambient temperature.
- surface is flat.
- wire distance between C7089U and thermostat is less than 200 feet.

Do not mount the sensor:

- In direct sunlight.
- Where hot or cold air blows on the sensor. Discharge line from an outdoor compressor unit, vent or fan causes inaccurate temperature readings.
- Where snow, ice or debris can cover it.

Use the following steps to mount the sensor:

1. Remove the sensor from the mounting clip.
2. Mark the area on the location selected for mounting the sensor mounting clip.
3. Mount the clip.

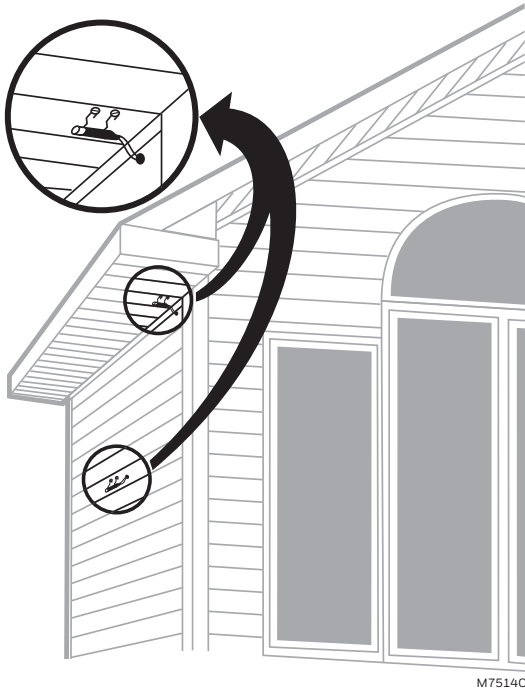


Fig. 72.

CAUTION

**Electrical Interference (Noise) Hazard.
Can cause erratic system operation.**

Keep wiring at least one foot away from large inductive loads such as motors, line starters, lighting ballasts and large power distribution panels.

Use shielded cable to reduce interference when rerouting is not possible.

Floor/Slab Sensor (T10+ only)

The T10+ Smart Thermostat can be used with a floor/slab sensor to control the ambient air temperature or floor temperature or both. You can choose among the following temperature control modes.

A mode: Controls and displays the ambient air temperature only.

F mode: Controls and displays the floor temperature only using an external floor temperature sensor. This control mode is suitable for areas such as bathrooms where floor temperature could be scheduled to be warm only during occupied, morning and evening periods.

- Floor temperature is indicated by “FLR” above the actual floor temperature.
- Actual ambient air temperature could also be displayed in the Thermostat MENU/TEMP. AF mode: Controls and displays the ambient air temperature as well as maintains the floor temperature within desired floor temperature limits using an external floor temperature sensor. Setting the minimum and maximum floor temperature limits is a way to enhance comfort and to protect the floor covering at the same time.
- Actual floor temperature could also be displayed in the Thermostat MENU/ TEMPERATURES.

NOTE: To set the thermostat temperature control mode, go to “Installer setup (ISU)” section and see settings (1055 & 5120-5170).

Floor/slab sensor wiring shown on following page.

Floor Temperature Sensor Installation

T10+ Thermostat is compatible with the following 10K ohm floor temperature sensors: AC112-01.

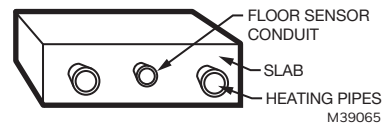


Fig. 73. Floor sensor conduit position in a slab.

The floor temperature sensor needs to be installed mid way between the piping to ensure proper temperature reading (not over or right next to piping). Example: For a 12” pipe spacing install the sensor 6” away from the piping and ensure the sensor is vertically centered.

We recommend installing the floor temperature sensor inside of min. 0.5” PEX pipe. This simplifies future sensor replacement, if required.

In a small room, position the sensor in the center of the floor. In larger rooms, ensure the sensor is at least 7 feet from the wall.

Recommended Floor Temperatures Settings

Recommended maximum floor temperature is 90 °F (32 °C) for most floor covering types except wood. Suggested maximum floor temperature for wood floor is 85 °F (29.5 °C). Freeze protection temperature for garages and basements is suggested to be set between 41 °F - 45 °F (5 °C - 7.2 °C).

See ISU settings (1055, 3250, and 5120-5170)

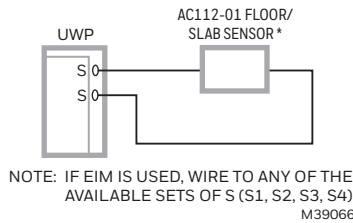


Fig. 74.

OR

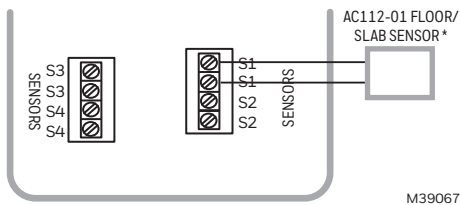


Fig. 75.

Wire the floor/slab sensor to the S terminals on the UWP if EIM is not used. If EIM is used, wire floor/slab sensor to any of the sets of S terminals. Make sure the floor/slab sensor settings match the wiring. See ISU settings (1055, 3250, and 5120-5170).

* A 10K ohm TekMar slab sensor could be used in place of the AC112 01 Floor sensor

IMPORTANT

Erratic temperature readings from a sensor can occur as a result of any of the wiring practices described below. Avoid these practices to assure correct operation. Use shielded cable to reduce interference if rerouting of sensor wiring is not possible.

- Be sure wires have a cable separate from the thermostat cable.
- Do not route temperature sensor wiring with building power wiring, next to control contactors or near light dimming circuits, electric motors or welding equipment.
- Avoid poor wiring connections.
- Avoid intermittent or missing building earth ground.

INSTALLER SETUP

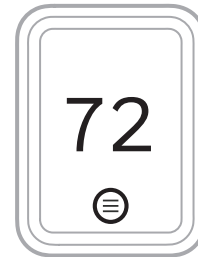
New Installation

1. After the thermostat has powered up, touch **GET STARTED** on the thermostat.
2. After selecting the correct option for each setting, Touch **NEXT** at the bottom of the display to advance to the next option.
3. To see a list of all setup parameters, go to "Installer setup (ISU)" starting on page 32. The thermostat displays the ISU name.
4. To finish setup and save your settings, touch **Done** in the upper left of display.

Revising Settings

If this is not a new installation and you want to access the Installer setup to change settings:

1. Touch the **Menu** icon (3 horizontal lines at bottom of display).
2. Scroll down and touch **Thermostat Information**.
3. Write down the date code from that screen. The touch the left arrow at top of display to go to previous screen.
4. Scroll down until "Installer Options" is shown. Touch **Installer Options** and enter date code.
5. Select **Installer Setup**.
6. After selecting the correct option for each setting, Touch **NEXT** at the bottom of the display to advance to the next option.
7. To see a list of all setup parameters, go to "Installer Setup (ISU)" starting on page 32.
8. To finish setup and save your settings, touch **Done** in the upper left of display.



M37796

Fig. 76.

Table 9. Installer Setup (ISU).

ISU #	Heading	Question	Options	Contingent previous setting?	EIM needed?	T10, T10+ or both	Notes
1000	Language	What language would you like to use?	English, Francais, Espanol		No	Both	
	Room	In what type of room will this thermostat be installed?	Bedroom, Living space, Other		No	Both	Only shown during initial setup
1050	Units	Which temperature scale would you like to use?	Fahrenheit, Celsius		No	Both	
	Equipment Interface Module	Do you have an Equipment Interface Module (EIM)?	Yes, I have an EIM, No			T10+	Only shown during initial setup
	Wireless setup	Press and release CONNECT button at your Equipment Interface module (EIM). When the connect light is flashing green on the EIM, then press Next.	NEXT		Yes	T10+	Only shown during initial setup
1055	Floor sensor	Floor sensor	No or Wired		No	T10+	
1060	Outdoor Temperature	Outdoor Temperature	None, Wired, Wireless*, Internet, (*Wireless automatically selected if sensor added during setup)	Wireless only shown if C7089R3013 has been linked to T10+ during setup.	No	See notes	T10 & T10+ have this setting but wireless outdoor sensor only for T10+
2000	System Type	System Type	Conventional Forced Air Heat, Heat Pump, Radiant Heat, Other, None (cool only)		No	Both	
2010	Equipment type	Equipment type	Standard Efficiency Gas forced Air, High efficiency Gas Forced Air, Oil Forced Air, Electric Forced Air, Hot Water Fan Coil,	2000 = Conventional Forced air heat	No	Both	
		Equipment type	Air to Air Heat Pump, Geothermal Heat Pump	2000 set to Heat Pump	No	Both	
		Equipment type	Gravity or Other	2000 = other	No	Both	
		Equipment type	Hot water radiant heat, hot water radiant floor heat, and steam	2000 set to Radiant Heat	No	Both*	*Hot water radiant floor heat for T10+ only
2060	Reversing Valve	Reversing Valve	O (O/B on Cool) or B (O/B on Heat)	2000 set to heat pump	No	Both	

Table 9. Installer Setup (ISU). (Continued)

ISU #	Heading	Question	Options	Contingent previous setting?	EIM needed?	T10, T10+ or both	Notes
2070	Equipment stages	Cool stages	0-2 cool stages.	2000 set to other than heat pump	No	Both	
		Heat stages	1-2 (1 if 2010 = gravity)		No	Both	
		Radiant Heat Stages	1 if 1055 = yes. 1 or 2 if 1055 = no & 2000 = Radiant.	1055 set to "wired" or 2000 = radiant heat	No	Both	
		Compressor Stages	1 or 2	2000 set to heat pump	No	Both	
		Fan Coil Heat Stages	1, 2 or 3	2010 = Hot Water Fan Coil	See notes	Both	EIM needed for 3 stages
		Electric Forced air Heat Stages	1, 2 or 3	2010 = Electric Forced air	See notes	Both	EIM needed for 3 stages.
		Backup Heat Stages	0, 1, or 2	2000 set to heat pump	See notes	Both	EIM needed for 2 backup stages.
2110	Fan Control	Fan Operation in Heat	Equipment Controls fan, Thermostat controls fan	2010 = other, electric forced air, or Hot Water Fan Coil	No	Both	
2120	Backup heat type	Backup heat type	None, Standard Efficiency Gas Forced Air, High-Efficiency Gas Forced Air, Oil forced air, Electric forced air, Hot water fan coil, Hot water Radiant heat, other	1055 = wired floor sensor, or 2000 = radiant heat	No	Both	
2130	Backup heat stages	Backup heat stages	1 or 2 (only 1 if 2070 = 2 radiant heat stages)	ISU 1055 = wired or 2000 = radiant & 2120 = other than "none"	No	Both	EIM needed for 2 backup stages.
2160	Fan Control	Backup Heat Fan Control	Equipment Controls fan, Thermostat controls fan	2120 = electric or other	No	Both	
2175	Backup Heat	Aux/E Terminal Control	Drive aux and E together or Aux and E independent	2070 backup heat stages = 2	No*	Both	Not an option when EIM is used.
2180	Backup Heat	Backup Heat Type	Electric Forced Air, Standard Efficiency Gas Forced Air, High Efficiency Gas Forced Air, Oil Forced Air, Hot Water Fan Coil, Hot Water Radiant Heat, Other	2070 backup heat stages = 1 or 2	No	Both	
2185	Emergency Heat	Emergency Heat Type	Electric Forced Air, Standard Efficiency Gas Forced Air, High Efficiency Gas Forced Air, Oil Forced Air, Hot Water Fan Coil, Hot Water Radiant Heat, Other	2175 = independent	No*	Both	Not an option when EIM is used.
2190	External fossil Fuel Kit	External fossil Fuel Kit	Thermostat Controls Backup Heat, External Fossil Fuel Kit Controls Backup Heat	2000 = heat pump, 2180 = Gas or oil forced air	No	Both	
2200	Backup Heat Operation	Backup Heat Operation	NOT Allowed to Run with Heat Pump, Allowed to Run with Heat Pump	2180 set for Hot Water or Other	No	Both	
2205	Emergency Heat Operation	Emergency Heat Operation	NOT Allowed to Run with Heat Pump, Allowed to Run with Heat Pump	2150 set for Hot Water or Other	No*	Both	Not an option when EIM is used.
2210	Fan Control	Backup Heat Fan Operation	No Fan, Equipment Controls fan, Thermostat controls fan	2180 = other	No	T10+	

Table 9. Installer Setup (ISU). (Continued)

ISU #	Heading	Question	Options	Contingent previous setting?	EIM needed?	T10, T10+ or both	Notes
2230	Control mode	Control Mode	Air and Floor, Air only, Floor only	1055 set to "wired"	No	T10+	No floor only option if there is a cool stage or backup heat stage.
3000	Changeover	Changeover	Manual, Automatic	any system with at least 1 heat stage & 1 cool stage	No	Both	
3015	Auto Changeover Differential		0-5F (0.00 to 2.50C)	3000= auto	No	Both	
3018	Advanced setup	Advanced setup	Basic options, advanced options		No	T10+	
3020	Staging control	Finish with high cool stage	No, Yes	2 cool/compressor stages	No	Both	
3021	Staging control	Finish with high heat stage	No, Yes	At least 2 heat stages	No	Both	
3030	Staging control	Cool differential stage 2	Comfort, 1.0F, 1.5F, 2.0F, 2.5F, 3.0F, 3.5F (.50, .75, 1.00, 1.25, 1.50, 1.75, C)	2 cool stages selected	No	Both	
3050	Staging control	Radiant heat differential	Comfort, 1.0F, 1.5F, 2.0F, 2.5F, 3.0F, 3.5F (.50, .75, 1.00, 1.25, 1.50, 1.75, C)	There are 2 stages of radiant heat selected for 2070.	No	Both	
		Heat Differentials	Stage 2 (Comfort, 1.0F - 3.5F)	2000 = Conventional Forced air + 2070 = 2 or 3	No	T10+	
			Stage 3 (Comfort, 1.5F to 4.0F)	2000 = Conventional Forced air + 2070 = 3	Yes	T10+	
3060	Staging control	Compressor Heat Differential Stage 2	Comfort, 1.0F, 1.5F, 2.0F, 2.5F, 3.0F, 3.5F (.50, .75, 1.00, 1.25, 1.50, 1.75, C)	2000 = Heat Pump and 2070 Compressor stages = 2	No	Both	
3080	Staging control	Backup heat differentials	Stage 1: Comfort*, 2.0F to 15F (1.00C to 7.5C)	Radiant heat with 1 or 2 backup heat stages	No	Both	If 2 stages of backup heat. The 2nd backup stage is forced to be at least .5 degrees higher than first stage back-up heat.
			Stage 2: Comfort*, 2.5F to 15.5F (1.25F to 7.75F)	Radiant heat with 2 backup heat stages	Yes	T10+	
3090	Staging control	Backup heat differentials	Stage 1: Comfort*, 2.0F to 15F (1.00C to 7.5C)	Heat pump selected with 1 or 2 backup heat stages	No	Both	*Comfort setting not available for dual fuel
			Stage 2: Comfort*, 2.5F to 15.5F (1.25F to 7.75F)	Heat pump selected with 2 backup heat stages	Yes	T10+	
3110	Staging control	Backup heat upstage timer	off, 30, 45, 60, 75, 90 minutes, 2, 3, 4, 5, 6, 8, 10, 12, 14, 16 hours	3090 set for other than "comfort"	No	Both	
		Backup heat holdoff timer	auto, 15, 30, 45, 60, 75, 90, 105, 120 minutes		No	T10+	
3120	Equipment Lockouts	Compressor Lockout/Balance point	Off, -15F to 50F (-26.0 to 15.5C)	Configured for heat pump with an aux heat stage	No	Both	
		Backup Heat Lockout	Off, 55F to 65F (-15 to 18.5 C)		No	Both	

Table 9. Installer Setup (ISU). (Continued)

ISU #	Heading	Question	Options	Contingent previous setting?	EIM needed?	T10, T10+ or both	Notes
3140	Cycle rates	Cool Cycles Per hour	stage 1. Settings 1-6	2000 = other than heat pump. 2070 = 1 or 2	No	Both	
			stage 2. Settings 1-6	2000 = other than heat pump. 2070 = 2	No	Both	
		Compressor Cycles Per Hour	stage 1. Settings 1-6	2000 = heat pump	No	Both	
			stage 2. Settings 1-6	2000 = heat pump, 2070 = 2	No	Both	
3150	Cycle rates	Radiant heat cycles per hour	stage 1, settings 1-12	At least 1 radiant heat stage	No	Both	
			stage 2, settings 1-12	2 radiant heat stages	No	T10+	
		Heat Cycles per hour	stage 1. Settings 1-12	2000 = Conventional forced air, or other	No	Both	
			stage 2. Settings 1-12	2000 = Conventional forced air & 2070 = 2-3 heat stages	No	Both	
			stage 3. Settings 1-12	2000 = Conventional forced air & 2070 = 3 heat stages	Yes	T10+	
3160	Cycle rates	Backup heat cycles per hour	backup heat cycles per hour. Settings 1-12	2130 = at least 1 backup heat stage selected	No	Both	
		Backup heat cycles per hour	backup heat cycles per hour stage 2. settings 1-12	2130 = 2 backup heat stage selected	Yes	T10+	
3240	Temperature Control	Minimum compressor off time	off, 1-5	2070. At least 1 cool/compressor stage selected	No	Both	
3250	Temperature control	Minimum non-compressor on time	Off, 2 minutes, 5 minutes,	2000 = radiant heat	No	T10+	
3260	Temperature Control	Extended fan run times	Extended fan run time in cool = off, 30, 60, 90 seconds; 2, 3, 4, 5, 6, 7, 8, 9, 10, 11, 12, 13, 14, 15 minutes.	At least 1 cool stage	No	Both	
			Extended fan run time in heat = off, 30, 60, 90 seconds; 2, 3, 4, 5, 6, 7, 8, 9, 10, 11, 12, 13, 14, 15 minutes.	At least 1 heat stage	No	Both	
4090	Temperature Control	Adaptive Intelligent Recovery	No, Yes		No	Both	
4100	Range Stops	Temperature range stops	Minimum cool setpoint; 50F-99F (10C-37C)	At least 1 stage of cool	No	Both	There is a correlation between these settings. For example, if minimum cool is set to 50F, minimum heat cannot be set above 40F
			Maximum cool setpoint; 90F-99F (32C-37C)	At least 1 stage of cool	No	Both	
			Minimum heat setpoint; 40F-50F (4.5C-10C)	At least 1 stage of heat	No	Both	
			Maximum heat setpoint; 40F-90F (4.5 - 32.0C)	At least 1 stage of heat	No	Both	

Table 9. Installer Setup (ISU). (Continued)

ISU #	Heading	Question	Options	Contingent previous setting?	EIM needed?	T10, T10+ or both	Notes
4110	Keypad lockout	Keypad lockout	Unlocked, partially locked, fully locked		No	Both	
5000	Sensors	What sensors are WIRED to your system?	Indoor Air Temperature, Return Air Temperature, Discharge Air Temperature, Floor Temperature	"Floor sensor" only shown here if 1055 is set to "wired"	No	Return, Discharge, and Floor for T10+ only.	
5020	Sensors	What Terminals are Wired to the Indoor Temperature Sensor?	None, EIM S1, EIM S2, EIM S3, EIM S4	5000 has Indoor Sensor selected	Yes	T10+ with EIM	If an EIM is not used this ISU isn't shown and sensor wires to S & S at UWP
5030	Sensors	Indoor Temperature Sensor Type	10K, 20K	5000 has Indoor Sensor selected	No	Both	
5040	Sensors	Which Sensors will be used for TEMPERATURE Control? (Multiple sensors are averaged)	Thermostat, Indoor sensor (remote)	5000 set for wired indoor sensor	No	Both	
5070	Sensors	What Terminals are Wired to the Return Air Temperature Sensor?	None, EIM S1, EIM S2, EIM S3, EIM S4	5000 has Return sensor selected	Yes	T10+	If an EIM is not used this ISU isn't shown and sensor wires to S & S at UWP
5080	Sensors	Return Temperature Sensor Type	10K, 20K	5000 has Return sensor selected	No	T10+	
5090	Sensors	What Terminals are Wired to the Discharge Air Temperature Sensor?	None, EIM S1, EIM S2, EIM S3, EIM S4	5000 has Discharge Sensor selected	Yes	T10+	If an EIM is not used this ISU isn't shown and sensor wires to S & S at UWP
5100	Sensors	Discharge Temperature Sensor Type	10K, 20K	5000 has Discharge Sensor selected	No	T10+	
5110	Sensors	A-Coil Low Temperature Cutoff	Off, 5F to 65F (-15C to 18.5C)	At least 1 cool stage	No	T10+	
5120	Sensors	What Terminals are Wired to the Floor Temperature Sensor?	None, EIM S1, EIM S2, EIM S3, EIM S4	1055 set to "Wired"	Yes	T10+	If an EIM is not used this ISU isn't shown and sensor wires to S & S at UWP
5150	Floor Temperature Limits	Minimum Limit	Minimum Limit = 40F-89F (4.5C to 31.5C)	5000 has Floor Sensor selected	No	T10+	Top range affected by Maximum limit setting
		Maximum Limit	Maximum Limit = 50F-99F (10.0C to 37.0C)	5000 has Floor Sensor selected	No	T10+	Bottom range affected by Minimum limit setting
5160	Floor economy mode	Floor economy mode	Yes or no	5000 has Floor Sensor selected	No	T10+	
5170	Freeze Protection	Freeze Protection	40F-50F (4.5C to 10C)	Radiant heat systems only. Cannot be below minimum setting in 5150 (if used).	No	T10+	
6000	Dry contacts	Select the dry contacts in the system	full drain pan alert, dirty filter alert, water leak alert, system shutdown alert, service needed alert, fan failure alert, custom alert		Yes	T10+	See dry contact alert section for operation details

Table 9. Installer Setup (ISU). (Continued)

ISU #	Heading	Question	Options	Contingent previous setting?	EIM needed?	T10, T10+ or both	Notes
6050	Dry Contacts	What terminals are wired to the full drain pan alert dry contact?	None, EIM S1, EIM S2, EIM S3, EIM S4	6000 has full drain pan selected	Yes	T10+	See dry contact alert section for operation details
6060	Dry Contacts	Full drain pan alert dry contact setup	Normally open, normally closed	6000 has full drain pan selected	Yes	T10+	
6065	Dry Contacts	Full drain pan alert dry contact actions	System shutdown (select or de-select)	6000 has full drain pan selected	Yes	T10+	
6070	Dry Contacts	What terminals are wired to the Dirty Filter alert dry contact?	None, EIM S1, EIM S2, EIM S3, EIM S4	6000 has dirty filter alert selected	Yes	T10+	
6080	Dry Contacts	Dirty filter alert dry contact setup	Normally open, normally closed		Yes	T10+	
6090	Dry Contacts	What terminals are wired to the water leak alert dry contacts?	None, EIM S1, EIM S2, EIM S3, EIM S4	6000 has water leak selected	Yes	T10+	See dry contact alert section for operation details
6100	Dry Contacts	Water leak alert dry contact setup	Normally open, normally closed	6000 has water leak selected	Yes	T10+	
6110	Dry Contacts	What terminals are wired to the system shutdown alert dry contact?	None, EIM S1, EIM S2, EIM S3, EIM S4	6000 has system shut down alert selected	Yes	T10+	See dry contact alert section for operation details
6120	Dry Contacts	System shut down alert dry contact setup	Normally open, normally closed		Yes	T10+	
6130	Dry Contacts	What terminals are wired to the service needed alert dry contact?	None, EIM S1, EIM S2, EIM S3, EIM S4	6000 has service needed alert selected	Yes	T10+	See dry contact alert section for operation details
6140	Dry Contacts	Service needed alert dry contact setup	Normally open, normally closed		Yes	T10+	
6150	Dry Contacts	What terminals are wired to the fan failure alert dry contact?	None, EIM S1, EIM S2, EIM S3, EIM S4	6000 has fan failure alert selected	Yes	T10+	See dry contact alert section for operation details
6160	Dry Contacts	Fan failure alert dry contact setup	Normally open, normally closed		Yes	T10+	
6190	Dry Contacts	What terminals are wired to the custom alert dry contact?	None, EIM S1, EIM S2, EIM S3, EIM S4	6000 has custom alert selected	Yes	T10+	See dry contact alert section for operation details
6200	Dry Contacts	Custom alert dry contact setup	Normally open, normally closed		Yes	T10+	
6210	Dry Contacts	Custom Alert Name	Type in the alert name		Yes	T10+	
6220	Dry Contacts	Custom Alert Message	Type in the message displayed when this alert is active		Yes	T10+	
7000	Filtration	Filter type	none, electronic air cleaner, media		No	Both	
7020	Filtration	Number of air filters	0, 1, 2	7000 = media	No	Both	
7110	Filtration	Replacement reminders	Air Filter 1; Settings off, 10, 20, 30, 45, 60, 90, 120, 150 run time days; 30, 45, 60, 75 calendar days; 3, 4, 5, 6, 9, 12, 15 calendar months	7020 = 1 or 2	No	Both	
			Air Filter 2; Settings off, 10, 20, 30, 45, 60, 90, 120, 150 run time days; 30, 45, 60, 75 calendar days; 3, 4, 5, 6, 9, 12, 15 calendar months	7020 = 2	No	Both	

Table 9. Installer Setup (ISU). (Continued)

ISU #	Heading	Question	Options	Contingent previous setting?	EIM needed?	T10, T10+ or both	Notes
7120	Filtration	Electronic Air Cleaner Reminders	Clean cells: Options off, 6-12 calendar months,	7000 = electric	No	Both	
			Clean pre-filters: Options off, 3-6 calendar months,		No	Both	
			Replace Post-filters: Options off, 6-12 calendar months,		No	Both	
8000	Humidification	What type of humidifier do you have?	None, Steam, bypass, or fan powered	U contacts not already used	No	Both	
8010	Humidification	What sensors will be used for Humidification control	Options shows thermostat and wireless sensors	8000 = other than "none" & wireless sensor connected to thermostat	No	T10+	
8030	Humidification	What terminals are wired to the humidifier?	None, EIM U1, EIM U2, EIM U3		Yes	T10+	If an EIM is not used this ISU isn't shown and humidifier wires to U contacts at UWP
8050	Humidification	Humidification Window Protection	Off, on	8000 = other than "none". Need wired or wireless outdoor sensor for this feature	No	Both	
8060	Humidification	System modes allowing humidification	heat, cool, and/or off	8000 = other than "none". (Cool option only when discharge sensor selected ISU 5000)	No	Both (cool only for T10+ with DATS)	
8070	Humidification	Humidification control	Humidify only when heat is on Humidify only when fan is on Humidify on demand: Thermostat controls fan Humidify on demand: humidifier controls fan	8000 set to other than "none"	No	Both	
8095	Humidification	Humidifier Lockouts Dry Contacts	Full drain pan, water leak	8000 = steam, by-pass or fan powered, & 6000 = full drain pan or water leak	Yes	T10+	
8100	Humidification	Humidifier Pad replacement reminder	Off, 6 or 12 calendar months	8000 = none, or bypass or fan powered	No	Both	
8100	Humidification	Clean tank/Water Filter replacement Reminder	Off, 60, or 90 run time days, 6 or 12 calendar months	8000 = steam	No	Both	
9000	Dehumidification	What type of dehumidification equipment do you have?	None, A/C with low speed fan, A/C with high speed fan, Whole House Dehumidifier	A/C with low speed fan & Whole House Dehumidifier only shown if U contacts available	No	Both	
9005	Dehumidification	Dehumidification Fan speed priority	Low speed fan with cool stage 1 only, Low speed fan always, user selectable	9000 = A/C with low speed fan	No	T10+	

Table 9. Installer Setup (ISU). (Continued)

ISU #	Heading	Question	Options	Contingent previous setting?	EIM needed?	T10, T10+ or both	Notes
9010	Dehumidification	What sensors will be used for Humidification control	Options shows thermostat and wireless sensors	9000 = other than "none" & wireless sensor connected to thermostat	No	T10+	
9040	Dehumidification	What terminals are wired to the Dehumidification Equip.?	None, EIM U1, EIM U2, EIM U3	9000 = A/C with low speed fan or Whole House Dehumidifier	Yes	T10+	If an EIM is not used this ISU isn't shown and dehumidifier wires to U contacts at UWP
9050	Dehumidification	Dehumidification Equipment Setup	Normally Open, Normally Closed	9000 = AC with low speed fan	No	Both	
9070	Dehumidification	Dehumidification - Overcooling Limit	0, 1, 2, 3F (0C, 0.5C, 1.0C, 1.5C)	9000 = A/C with high or low speed fan	No	Both	
9120	Dehumidification	System modes allowing dehumidification	Heat, off, cool	9000 - Whole House Dehumidifier	No	Both	
9130	Dehumidification	Dehumidifier Fan Control	Thermostat controls Fan, Dehumidifier Controls Fan	9000 - Whole House Dehumidifier	No	Both	
9140	Dehumidification	Dehumidifier Lockout	Dehumidifier Allowed when Cool is Running, Dehumidifier Not Allowed when Cool is Running	9000 - Whole House Dehumidifier	No	Both	
9180	Dehumidification	Dehumidification - Away mode	Not allowed, Allowed		No	T10+	
9190	Dehumidification	Dehumidification Away mode Fan Control	On, automatic, circulate	9180 = allowed	No	T10+	
9200	Dehumidification	Dehumidification Away mode low limit temperature setting	70-80F (21.0C-26.5C)	9180 = allowed	No	T10+	The dehumidification Away mode setting can restrict this
		Dehumidification Away Mode Temperature Setting	70F to 99F (21.0C to 37.0C)	9180 = allowed	No	T10+	The dehumidification Away mode Low Limit setting can restrict this
		Dehumidification Away Mode Dehumidification Setting	40% - 70%	9180 = allowed	No	T10+	
9210	Dehumidification	Dehumidifier Filter replacement reminder	Off, 30, 60, calendar days; 3, 4, 5, 6, 7, 8, 9, 10, 11, 12, calendar months.		No	Both	
10000	Ventilation	Ventilation Type	None, ERV/HRV, Passive (Fan Only), Fresh Air Damper,	ERV/HRV or damper needs Available U contacts. "Passive Fan" not an option for Radiant heat only.	No	Both	
10020	Ventilation	What terminals are wired to the ventilation equipment?	None, EIM U1, EIM U2, EIM U3	10000 = ERV/HRV or Fesh air damper	Yes	T10+	If an EIM is not used this ISU isn't shown and ventilator wires to U contacts at UWP
10050	Ventilation	Ventilation control method	ASHRAE or Percent on Time	10000 = ERV/HRV or Fesh air damper	No	Both	

Table 9. Installer Setup (ISU). (Continued)

ISU #	Heading	Question	Options	Contingent previous setting?	EIM needed?	T10, T10+ or both	Notes
10060	Ventilation	Ventilation Fan control	Thermostat controls fan or Equipment controls fan	10000 = ERV/HRV or Fresh air damper And 8000 set for humidifier	No	Both	
10090	Ventilation	Ventilation House Size	Number of Bedrooms 1-6	10050 = Ashrae	No	Both	
			Size of house 1000 -5000 sq. ft. if display set to Fahrenheit; 90-460 sq. M. if set to Celsius	10050 = Ashrae	No	Both	
10100	Ventilation	Enter Equipment Ventilation Rate	30 - 350 CFM if display set to Fahrenheit; 850 - 9900 LPM if set to Celsius	10050 = Ashrae	No	Both	
10120	Ventilation	Ventilation Percent On Time	10% - 100% (30% default)	10050 + % on time	No	Both	
10125	Ventilation	Ventilation Priority	Lockouts are priority, Ashrae is priority	10050 = Ashrae	No	Both	
10130	Ventilation	Outdoor condition lockouts	Low Temperature = off, -20F to 40F (off, -29.0 - 4.5C)	10000 = ERV/HRV or Fresh air damper & 1060 (outdoor temperature) = other than "None"	No	Both	
			High Temperature = off, 80F to 110F (off, 26.5C-43.5C)		No	Both	
			High Dew point = off, 65F - 85F (Off, 18.5C-29.5C)	1060 = Internet or Wireless	No	Both	
10140	Ventilation	Lockout Ventilation on Humidification or dehumidification calls	Off or On	8000 set for humidifier and/or 9000 set for dehumidifier	Yes	T10+	
10160	Ventilation	Ventilate on high indoor humidity	Off, On (heat only)	8000 set for humidifier and 10000 set for ventilator	Yes	T10+	
10170	Ventilation	Ventilation Reminders	Clean core = Off, 3, 6, 9, 12, calendar months	Core only shown if 100 = ERV/HRV. Filter reminder always shown.	No	Both	
			Clean filter = Off, 3, 6, 9, 12, calendar months		No	Both	
11000	UV Devices	Number of UV Devices	0, 1, 2		No	Both	
11050	UV Devices	UV Bulb Replacement Reminders	Replace UV Bulb 1 = Off, 6, 12, 24 calendar months	11000 = 1 or 2	No	Both	
			Replace UV Bulb 2 = Off, 6, 12, 24 calendar months	11000 = 2	No	Both	
14005	Idle screen Style	Idle screen Style	Temperature or Analog Clock		No	Both	
14010	Clock Format	Clock Format	12 hour clock, 24 hour clock		No	Both	
14015	Daylight Savings Time	Daylight Savings Time	Off, On		No	Both	

Table 9. Installer Setup (ISU). (Continued)

ISU #	Heading	Question	Options	Contingent previous setting?	EIM needed?	T10, T10+ or both	Notes
14020	Display Offsets	Indoor Display Offsets	Indoor Temperature = 0F, 1F, 2F, 3F		No	Both	
			Indoor Humidity = -12% to 12%		No	Both	
14030	Display Offsets	Outdoor Display Offsets	Outdoor Temperature = -3F to 3F (-2.50F to 2.50C)	C7089R3013 sensor used	No	T10+	
			Outdoor Humidity = -5% to 5%	C7089R3013 sensor used	No	T10+	
15000	Dealer Information	Dealer Information	Enter Company name, phone number, website, email, message		No	Both	

WIFI SETUP

During the initial installation, after the Installer setup the thermostat will prompt you to set up WiFi and guide you through the steps. If you are setting up WiFi after the initial installation has already been done, follow the below steps:

1. Select the **Main Menu** icon.

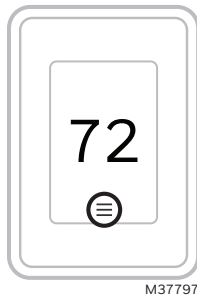


Fig. 77. Main menu icon.

2. Then select **WiFi**.
3. There is a slider labeled “Enable WiFi”. Make sure this is set to the right.
4. Touch **Choose Network**.
5. After a brief delay, the thermostat should show the available networks. Choose your home network from the list.
6. If this is a secure network, it should prompt you to “Enter WiFi password”. After a brief delay the display should show “Success! Your thermostat successfully connected to the network.” Press the **OK** button.

NOTE: If you did not successfully connect to the network, attempt to:

7. Download the Resideo app from the App store or Google Play.
8. Open the Resideo app. Tap **SET UP NOW** as shown here to continue. Tap **INSTALL A DEVICE** and follow the prompts to continue. The app will walk you through the rest of the setup.

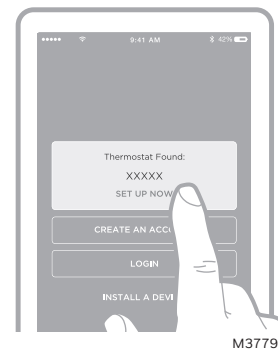


Fig. 78. Set up now.

Connect to a Hidden WiFi Network

1. Touch **MENU**, then WiFi Setup.
2. Touch **Other**, then **Select**.
3. When prompted, press the screen to edit the network name.
4. Enter the network name.
Press the ▲ or ▼ buttons to change the letter or number. Press the ► button to move to the next character, or the ◀ button to move to the previous character. Use the ▲ or ▼ buttons at the bottom to change letter case. Press Done when complete.
5. Select the appropriate network security setting, then press Select.
6. Enter the WiFi network password as explained above in “Connecting to WiFi Network”, step 6.

Unsuccessful WiFi Connection

If you are unsuccessful in connecting the thermostat to the WiFi network, you will see a Connection Failed screen. Press ▼ button for other tips about this failed connection. Here are three specific reasons the connection might be unsuccessful.

For all Connection Failed screens, pressing **Done** will return to the Menu screen.

Invalid Password

The password you entered is invalid. Check that you have the right password and try again.

No IP Address

The thermostat was unable to obtain an IP address from the router. Verify the router is correctly set up to automatically assign IP addresses. This connection can take several minutes. If there is still no connection, remove the thermostat from the wallplate for 10 seconds, then snap it back into place.

No Internet Link

The thermostat connected to the WiFi network but was unable to establish a connection to the internet. Check the router settings and try again. Make sure the Ethernet cable is plugged into the router and try rebooting the router if necessary.

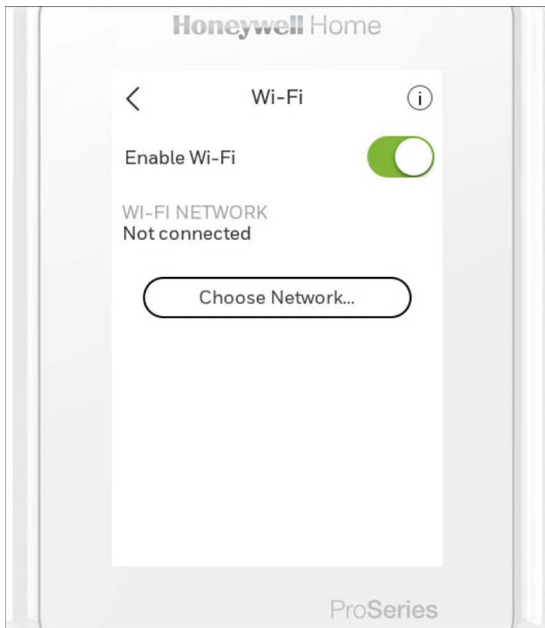


Fig. 79.

SCHEDULING

Setting a Schedule On Thermostat

Select the **menu** icon at the bottom of the homescreen display. Then select **Schedule**.

- If you want all days the same, select **Grouped Days**.
- Touch the period you wish to edit (Wake, Away, Home, or sleep).

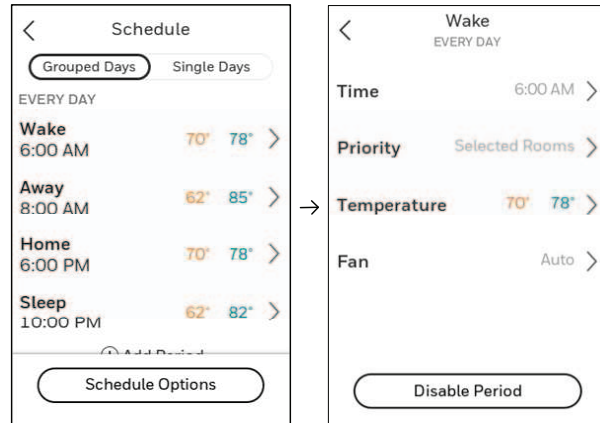


Fig. 80.

- If you want all days separate, select **Single Days**.
- Touch the period of the day you wish to edit (Wake, Away, Home, or sleep). Scroll down to see additional days).

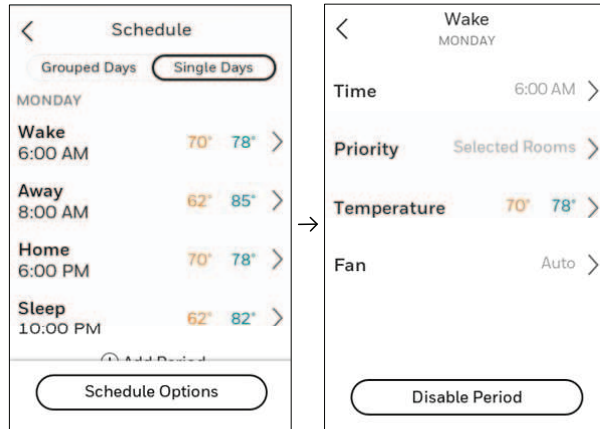


Fig. 81.

- If you want weekdays grouped but weekend days separate, or if you do not want to use a schedule, select **Schedule**.
- Touch **Create New Schedule**. The thermostat will then walk you through the schedule setup.

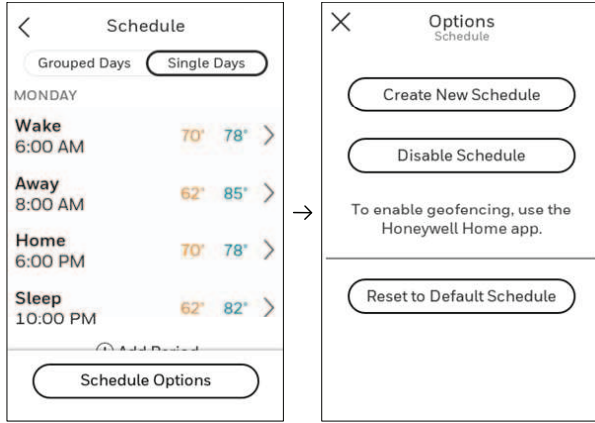


Fig. 82.

- Touch **Time** to edit the time for that schedule period.
- Touch **Priority** to select which sensors will be used for that period.
- Touch **Temperature** to set the heat and cool setpoints for that period.
- Touch **Fan** to select fan on, auto, or circ for that period.

NOTE: To utilize Geofencing, set the schedule through the app.

Scheduling Through the App

Flexible scheduling: You can choose to use location-based temperature control (geofence technology), time-based scheduling, or use a combination of both to make sure your home is always comfortable.

- **Location-based temperature control:** Using geofencing technology, the T9 Smart thermostat will automatically use your smartphone's location, which can save energy when you leave and make your home comfortable by the time you return.
- **Smart scheduling:** Adds a Sleep period to location-based temperature control.
- **Time-based scheduling:** You can program a schedule where every day is different, a schedule where weekdays and weekends are different, or a schedule where every day is the same. There are four adjustable periods per day: Wake, Away, Home, and Sleep.
- **No schedule:** You can also choose not to set a schedule and adjust the thermostat manually.
- **Sensor Priority:** Select which sensors are used for each program period or when used manually.

1. In the Resideo app, select the thermostat you wish to schedule. Touch the **calendar** icon in the lower right of the display.
2. Select **Grouped Days** for all days the same or Single day if you want some days to be scheduled different than others.

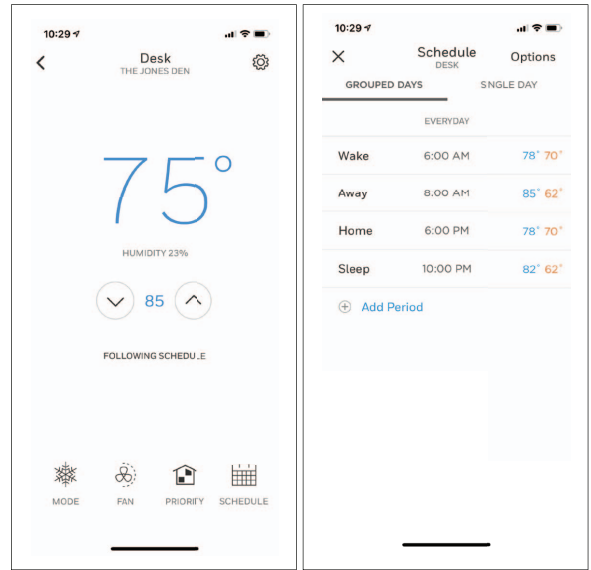


Fig. 83.

3. Select **Options** to turn schedule off, create a new time-based schedule, or switch to Geofencing.
4. Set priority sensor(s) for each program.
- 5.

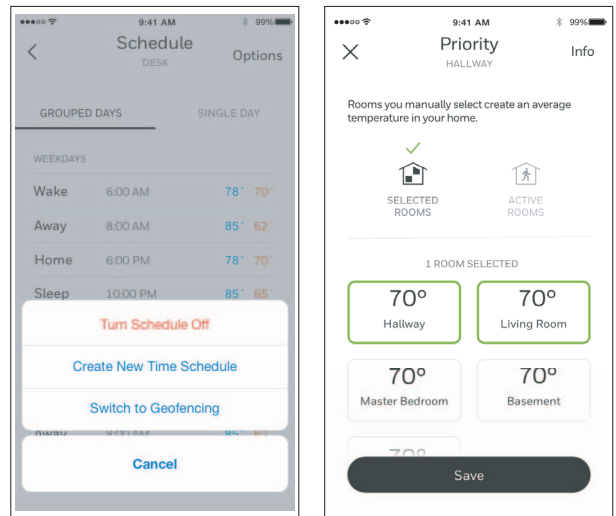


Fig. 84.

Location-Based Scheduling

When location-based temperature control is used, the thermostat active homescreen display will show *Using Home settings, Using Away Settings, or Using sleep settings* below the room temperature.

If you set an additional Sleep period in the Resideo app, you'll also see the Following Schedule in the upper left corner of the thermostat screen.

If you manually change the temperature when location-based temperature control is active, the new temperature will remain in effect until you cross the geofence.

To adjust the geofence boundary, follow the steps below.

1. Open the Resideo app, tap the **menu** icon in the upper left corner and then tap Geofence.
2. Tap **Geofence Radius**, and when the map and current geofence appear, touch, hold and drag the black dot to adjust the geofence boundary.
3. Tap **SAVE** to finish.



Fig. 85.

Schedule Override on Device

With thermostat in heat, cool, auto, or em heat mode, press the up or down arrow to change the setpoint. (if thermostat is in auto mode, you need to press **heat to** or **cool to** first).

If scheduling is enabled it will say **Hold until** and show a time at the bottom of the screen. Touch this.

Display says *Use current temperature, fan, and comfort priority settings until...*

Options are:

- Next Period
- A Specific Time
- Permanently
- Remove hold

Choose the appropriate option. If you chose **A Specific time**, select the time you want to hold to.

Press **Done** to return to Home screen.

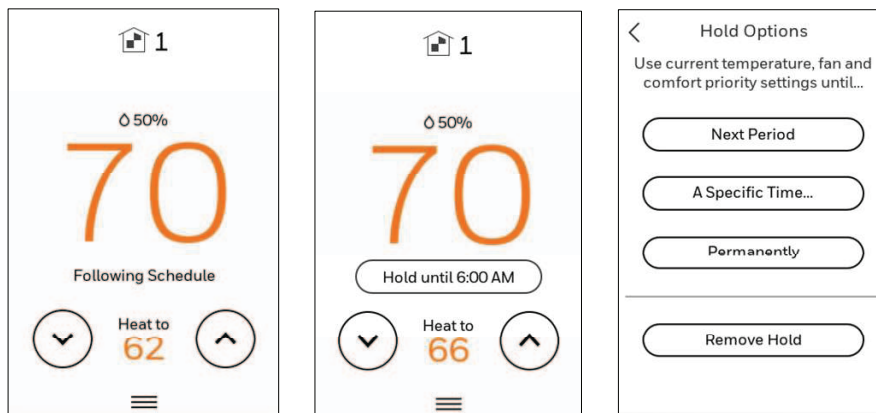


Fig. 86.

MAIN MENU

From Home Screen, press the **Menu** icon at bottom of the display (3 horizontal lines). (If this is not shown at home screen, touch screen to wake display first).

Main Menu Options

Notifications

Only displayed when there are active alerts/notifications. select "Notifications" to see details.

System Mode

(Available modes vary depending on how the thermostat was configured)

- Heat
- Off
- Cool

- Auto (see "Auto Changeover Operation" on page 55)
- Em Heat (see "Em Heat and Auxiliary Heat Operation" on page 55)

Fan

(Fan setting not available for all system types)

- Auto (Fan only runs with a call for heat or cool, or if set to run with Hum, dehum, or vent call)
- On (fan runs continuous)
- Circulate (fan runs randomly approx. 33% of the time)

Priority

If wireless indoor temperature/humidity/motion sensors are used, select which sensors are used for temperature control. Can choose active sensor (ones detecting motion) or manually select which sensors to use.

Schedule

- Create new schedule – (Set a time-based schedule)
- Disable schedule
- Reset to default Schedule

NOTE: To enable geofencing, use the Resideo app.

Weather

Shown if connected to Wi Fi/App, & ISU 1060 = Internet, displays weather forecast for up to 10 hours in 2 hour increments.

Temperatures

Shown if configured for a floor/slab sensor in ISU 1055. Shows the temperature reading and settings for Floor sensor (T10+ only).

Humidification

- View current indoor humidity level & setting
- View humidifier status (humidifying, idle, off)
- Change humidity setting
- Options change mode, change window protection setting

Dehumidification

- View current indoor dehumidity level & setting
- View dehumidifier status (dehumidifying, idle, off)
- Change dehumidity setting
- Options change mode, adjust high speed fan priority setting

Ventilation

- View or change mode (auto, on, off)
- Timed ventilation 180 minutes max
- Options lockout settings for sleep, high outdoor temperature, low outdoor temperature, high outdoor dew point

Management**Devices & Sensors**

- Add a wireless indoor or outdoor sensor
- Identify a wireless indoor or outdoor sensor
- Thermostat:
 - Temperature & humidity readings
 - and network name
 - IPV54 address
 - Change room name
- Equipment Interface Module:
 - Firmware version
 - Wireless signal strength
- Indoor Air Sensor:
 - Firmware version
 - Battery strength
 - Wireless signal strength
 - Temperature and Humidity readings
 - Occupied or unoccupied (detection of motion in room)
 - Options:
 - Rename sensor (select Room name)

- Use motion (Allows you to choose not to allow motion to be used from a one or more sensors when “active rooms” is selected in the priority menu.
- Motion Sensitivity (HIGH = Triggered when very little motion is detected, MEDIUM = triggered when a moderate amount of motion is detected, LOW = triggered only when a lot of motion is detected).
- Delete (Removes that sensor from the thermostat).
- Blink lights (Will make the light on the indoor sensor you selected blink to help identify which sensor is matched with each name in the sensor menu.)
- Outdoor Air Sensor:
 - Firmware version
 - Battery strength
 - Wireless signal strength
 - Temperature and Humidity readings
 - Delete (this option is only shown in the "devices and sensors" menu when accessed via "Installer options" menu).

Thermostat Information

- Mac Address
- IP Address
- Date Code
- Model Number
- Build Date
- Collection Version
- WiFi Bootloader Version
- WiFi Application Version
- RedLINK Application Version
- T10+ will show a QR code if you scroll down

Equipment Status

- System mode
- Heat stages (on or off)
- Cool stages (on or off)
- Fan on or off
- IAQ (Hum, Dehum, or Vent) on or off

Dehumidification Away Mode

If ISU 9180 is set for dehumidification away mode, then this menu displays the dehumidification Away mode status and settings.

Dealer Information

- Model number
- Date code
- Dealer company name and contact information if provided by installer. (See “Installer Options Menu” on page 46.)

Configuration

- WiFi
- Connect App
- Connect HomeKit
- Security
- Preferences
- Installer Options (See “Installer Options Menu” on page 46)

Installer Options

To access the Installer options menu:

1. Touch the **Menu** icon (3 horizontal lines at bottom of display)
2. Scroll down and touch **Thermostat Information**.
3. Write down the date code from that screen. Then touch the left arrow at top of display to go to previous screen.
4. Scroll down until "installer Options" is shown. Touch **Installer Options** and enter date code.

How to find more options

1. Touch the **Menu** button.
2. Scroll up and down for more options.

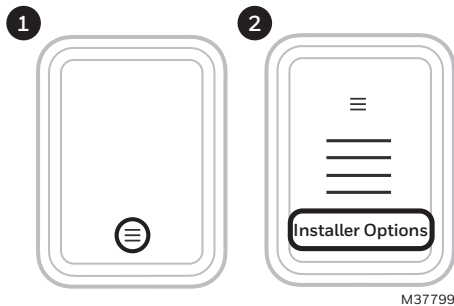


Fig. 87.

Installer Options Menu

Installer Setup

Setup thermostat. See Table 9 beginning on page 32.

Installer Test

- Turn on or off heat stages
- Turn on or off cool stages,
- Turn on or off em heat stage,
- Turn on or off IAQ equipment

Dealer Information Setup

Enter installer company name, phone number, website, and email. That way if customer gets an alert or reminder the contractor contact information can be displayed.

Devices & Sensors

- Add a wireless indoor or outdoor sensor
- Identify a wireless indoor or outdoor sensor
- Thermostat:
 - Temperature & humidity readings and network name
 - IPV54 address
 - Change room name
- Equipment Interface Module:
 - Firmware version
 - Wireless signal strength
- Indoor Air Sensor:
 - Firmware version
 - Battery strength
 - Wireless signal strength
 - Temperature and Humidity readings
 - Occupied or unoccupied (detection of motion in room)

- Options:
 - Rename sensor (select Room name)
 - Use motion (Allows you to choose not to allow motion to be used from a one or more sensors when "active rooms" is selected in the priority menu.
 - Motion Sensitivity (HIGH = Triggered when very little motion is detected, MEDIUM = triggered when a moderate amount of motion is detected, LOW = triggered only when a lot of motion is detected).
 - Delete (Removes that sensor from the thermostat).
 - Blink lights (Will make the light on the indoor sensor you selected blink to help identify which sensor is matched with each name in the sensor menu.)
- Outdoor Air Sensor:
 - Firmware version
 - Battery strength
 - Wireless signal strength
 - Temperature and Humidity readings
 - Delete (this option is only shown in the "devices and sensors" menu when accessed via "Installer options" menu).

Thermostat Information

- Mac Address
- Date Code
- Model number
- Build date
- Collection Version
- Bootloader Version
- Application Version
- WiFi Bootloader Version
- WiFi Application Version
- RedLINK Application Version

Reset

- Reset Schedule
- Delete all sensors
- Reset HomeKit
- Factory Reset
- Reset WiFi?

GETTING THE MOST FROM THE T10 OR T10+ SMART THERMOSTAT

Prioritize Rooms

Prioritize a specific room or multiple rooms, or let comfort follow your move using built-in motion detection.

Control on the Go

Adjust your thermostat from anywhere using your tablet or smartphone.

Save Energy

With geofencing, you can save money on the most expensive part of your energy bill while you're away.

Simple Installation

The thermostat automatically programs itself. Just answer a few simple questions and you'll be up and running in no time.

Whole-Home Range

With a 200-foot range, 20 sensors with temperature, humidity, and occupancy detection can connect to your thermostat from throughout your home.

Know Your Home Is Safe

Get customizable alerts on your mobile device when the basement is so cold a pipe could burst, or if the baby’s room is getting too hot.

Apple® HomeKit™ Setup

1. Touch **Menu** icon at the bottom of the T10 or T10+ home screen.



Fig. 88.

2. Scroll down and select **Connect HomeKit**.

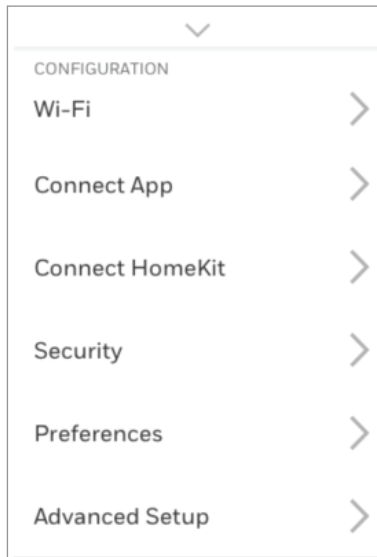


Fig. 89.

3. Use the Apple Home App and select **Add Accessory**. Scan the code shown on your thermostat with your phone

4. Follow the instructions on your phone.

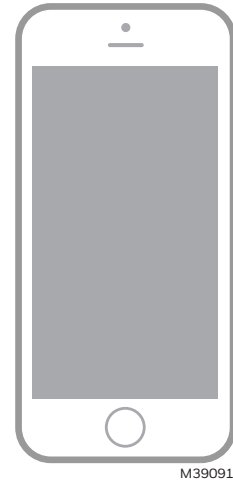


Fig. 90.

Using Your Thermostat

The screen will wake up by pressing the center area of the displayed temperature.

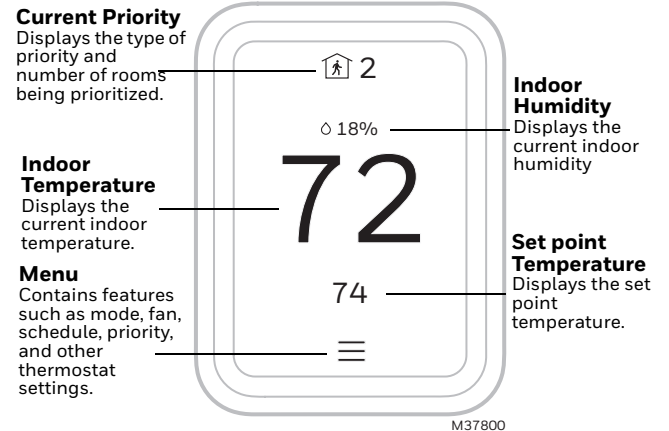


Fig. 91.

Setting the Time/Date

When the thermostat is linked to the home WiFi router and registered to an account using the Resideo app, the date and time will update automatically.

If not using WiFi you can set the time/date as follows:

1. Touch **Menu**.
2. Scroll down and select **Preferences**.
3. Select **Date and Time**.
4. Date and time information are displayed.

Set Date

- If the date shown is incorrect, touch **Date**.
- Scroll up or down on the left of the display until the correct month is in the middle of screen.
- Scroll up or down on the center of the display until the correct day is in the middle of screen.
- Scroll up or down on the right of the display until the correct year is in the middle of screen.
- Touch **Done**.

Set Time

- If the time shown is incorrect, touch **Time**.
- Scroll up or down on the left of the display until the current hour is in the middle of screen.
- Scroll up or down on the center of the display until the current minutes are in the middle of screen.
- Scroll up or down on the right of the display until the correct am or pm is in the middle of screen.
- Touch **Done**.

Setting the Fan

NOTE: Fan setting not available for all system types.

- Touch **Menu**.
- Touch **Fan**.
- Choose on, auto, or circulate.
- Auto setting only runs the fan with the heating or cooling system.*
- On setting runs the fan continuously.
- Circ setting runs the fan approx 33% of the time to ensure air circulation.

* The fan may also run with the humidifier, dehumidifier, or ventilator depending on how the thermostat was configured.

Programming the Fan

You can set the fan to on, auto, or circ for each program when using time-based scheduling.

Setting the System Mode

- Touch **Menu**.
- Touch **System Mode**.
- Touch desired option.
 - Heat: Controls only the heating system.
 - Cool: Controls only the cooling system.
 - Off: Heating/cooling systems are off.
 - Auto: Selects heating or cooling depending on the indoor temperature.
 - Em Heat (heat pumps with aux. heat): Controls auxiliary/emergency heat. Compressor is locked out.
- Touch **Done** to save and exit.

NOTE: The Auto and Em Heat system settings may not appear, depending on how your thermostat was set up.

Using Priority

Priority creates an average temperature in your home based on specific rooms. This allows you to prioritize comfort where you want it.

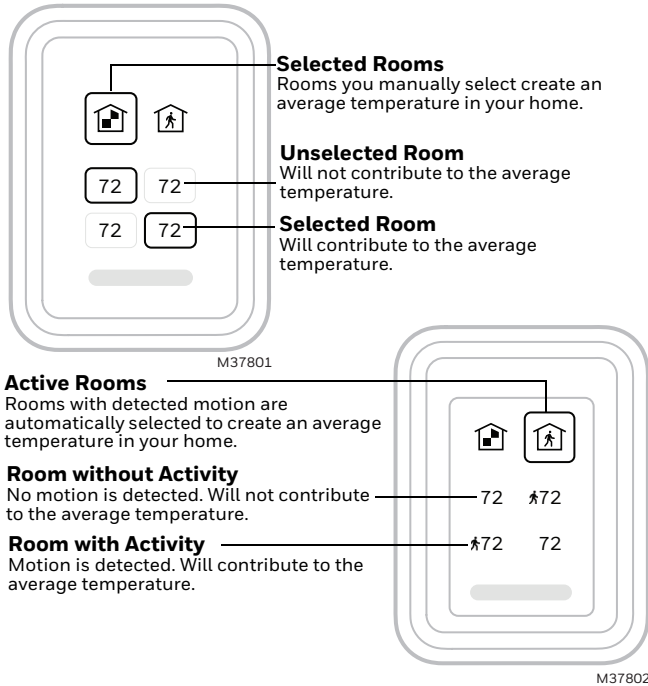


Fig. 92.

Selecting Sensors

The temperature reading displayed on the home screen is from the sensor or sensors that are being used for temperature control. You can change which sensors are being used for control by selecting menu-priority. From the home screen, touch the menu icon at the bottom of the display and select “Priority”.

Priority Screen

Selected Rooms

When set to “selected rooms” you may select one or more rooms to read the wireless indoor sensor information from.

When multiple sensors are selected, the temperature is averaged.

Active Rooms

When set to “Active rooms” the thermostat controls temperature based on the reading from the indoor sensors that detect motion.

Alerts and Notifications

1. The red dot above the **Menu** icon indicates an active alert or notification. Touch the **Menu** icon to view active Alerts & Notifications.
2. Touch **Notifications** to open this menu.
3. Touch the alert message to see more information about the alert.

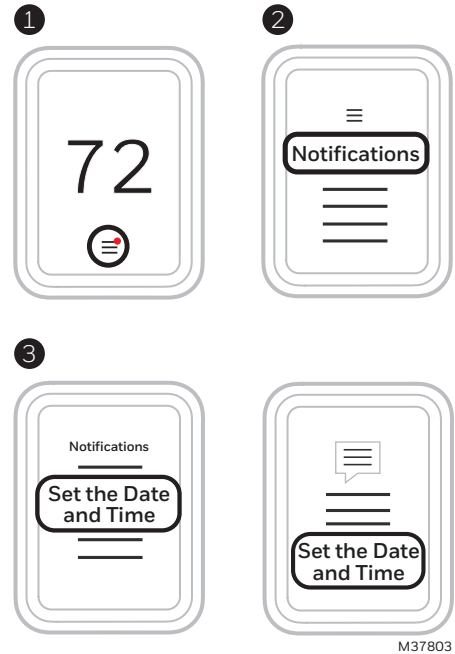


Fig. 93.

When there is an active alert or notification, you must select the notification banner and acknowledge the message before you are allowed to access the menu icon.

IAQ Reminders

You can set up IAQ reminders in the thermostat to remind users when filters, pads, bulbs, etc. need cleaning or replacement. The available reminders vary based on the ISU settings. For example, if the thermostat is configured to control a flow through humidifier, it will have the humidifier pad reminder but not the humidifier tank reminder:

- Air Filter 1
- Air Filter 2
- Electronic Air Cleaner Pre-Filter
- Electronic Air Cleaner Post-Filter
- Humidifier Tank/Water Filter
- Humidifier Pad
- Dehumidifier Filter
- Ventilator Core
- Ventilator Filter
- UV Bulb 1
- UV Bulb 2

Reminders that are displayed under preferences will change based on the IAQ equipment installed. Reminders for equipment that is already set up can be set using the steps below. Reminders for IAQ equipment that is not yet set up must be turned on from the installer setup.

NOTE: Air Filter, Humidifier Pad, Dehumidifier Filter, and Ventilator Filter are displayed under Preferences even if they have not been set up. Humidifier Pad is not displayed if a steam humidifier has been installed.

To access or adjust the reminder settings

- Select the **Menu** icon.
- Scroll down and select **Preferences**.
- Select the reminder you want to set from the list (shown above).
- Press ▲ or ▼ to set the timer length. Ranges, increments, and units will change based on the reminder.
- Press **Done** to save the reminder.
- Press **Reset Timer** when you have completed the recommended maintenance or you can extend the timer setting to turn off the alert and remind you later to do the recommended maintenance.
- Repeat these steps for all reminders you want to set

NOTE: When set for run time days, the thermostat tracks the amount of time the fan has run and compares that time against the number of run time days selected. Fan run time is counted when there is a call for forced air heating, cooling, or fan.

Setting Preferences

Preference menu options let you select how the thermostat displays information or responds to certain situations.

To access the Preferences menu:

- Touch **Menu**.
- Scroll down and select **Preferences**.
- Select an option and follow prompts:
- Display
 - Temperature units (Fahrenheit or Celsius)
 - Language (English French or Spanish)
 - Active backlight setting (50% to 100%)
 - Inactive backlight setting (0% to 100%)
 - Inactive Sleep backlight setting (0% to 100% and inactive sleep time settings. Note: these can be set different than the schedule sleep times)
 - App change behavior (When a temperature change is made by the app, would you like the thermostats to light up the display? Yes or No)
 - Indoor display offsets (temperature and humidity)
 - Clean screen (allows you 30 seconds to clean display without accidentally adjusting a setting)
- Date and Time
 - Set date
 - Set time
 - Set to 12 or 24 hour clock
 - Set for daylight savings time

- Reminders (these vary based on ISU settings)
 - Air Filter 1
 - Air Filter 2
 - Electronic Air Cleaner Pre-Filter
 - Electronic Air Cleaner Post-Filter
 - Humidifier Tank/Water Filter
 - Humidifier Pad
 - Dehumidifier Filter
 - Ventilator Core
 - Ventilator Filter
 - UV Bulb 1
 - UV Bulb 2
- Adaptive recovery
 - On or Off
- Fallback room (T10+ only) Thermostat or sensor

Touch **Done** to save your settings.

Fallback Room (T10+ only)

Under the preferences menu you can select which Room(s) are used if either:

- The T10+ is set for active rooms and none of the sensors detect activity.
- The selected sensors (active rooms or selected rooms) lose communication to T10+ (sensor failure, dead batteries, etc.)

If the fallback sensor is also not communicating, the thermostat sensor will be used unless the installer had selected.

This operation is different for T10 than T10+. T10 always defaults to the thermostat in the above situations. Fallback room setting was added to T10+ for applications in which the thermostat is mounted in the utility room, so defaulting to thermostat would not be desired.

INDOOR AIR QUALITY CONTROL

Humidification

The thermostat reads the indoor humidity level and allows the user to set a humidification setting with or without window protection. The thermostat can be set up to control a humidifier in any system mode in the Installer Setup (ISU 8060).

Set up Humidification

1. Select the Humidifier Type at ISU 8000. **NOTE:** Based on the humidifier type you select, the thermostat defaults to the most commonly used settings for that humidifier type. For example, a Bypass or Fan Powered humidifier will default ISU 8070 to “Hum when Heat is On.” A Steam humidifier will default ISU 8070 to “Tstat controls Fan.”
2. Set Window Protection setting (ISU 8050). **NOTE:** Outdoor sensor temperature (Sensor or Internet weather) is required for Window Protection (ISU 1060).

3. Select the system mode(s) to allow humidification (ISU 8060). Options are Heat and off. NOTE: Heat includes Heat, Emergency Heat and Auto. If the system is in Auto mode, the thermostat will allow humidification if the last call was for heat.
4. Select from one of the Humidification Control Options (ISU 8070).
 - Hum when Heat is On
 - The thermostat turns on the humidifier only if the heat is currently running and humidification is needed.
 - Hum when Fan is On
 - The thermostat turns on the humidifier only if the fan is currently running and humidification is needed.
 - Tstat Controls Fan
 - The thermostat turns on the humidifier and the fan when humidification is needed.
 - Hum Controls Fan
 - The thermostat turns on the humidifier when humidification is needed and the humidifier controls the fan.

Control Humidification Level

1. Touch **MENU** and select **Humidification**. Touch ▲ or ▼ to select humidity level.
2. Touch **Done** to save your settings. Touch **Cancel** to ignore changes.
3. If frost or condensation appears on the windows, press **MENU**, scroll down and select **options**. Then select **Window Protection Level**.

Window Protection

Window Protection limits the amount of humidity to prevent frost or condensation on windows. Window Protection (ISU 8050) requires either an outdoor sensor or use of Internet weather (Outdoor temperature setting In ISU chart on page 32).

The thermostat prevents frost or condensation on windows by not allowing the humidifier to run above a certain level. To prevent frost or condensation, the thermostat may turn off the humidifier before the humidity setting is reached.

If Window protection is enabled (ISU 8050), you can adjust this setting by pressing **MENU**, then scroll down and select Humidification > Options > Window Protection Level. Window Protection is set on a scale from 1-10. A setting of 10 represents poorly insulated windows and a setting of 1 represents well insulated windows. A higher number automatically reduces the humidity to help prevent frost or condensation on your windows. Use a lower number if indoor air seems too dry. To prevent frost/condensation on your windows during cold outdoor temperatures, poorly insulated windows require a higher Window Protection setting, which will limit how much your humidifier can run. After you set the Window Protection setting, check for frost/condensation on your windows in the morning. If frost/condensation is present, adjust the Window Protection setting to the next higher number and check for frost/condensation on your windows the next morning.

Continue to adjust the Window Protection setting to a higher number until frost/condensation is no longer present. If Window Protection is turned Off, the thermostat controls the humidity level to the user's desired humidity setting. Frost or condensation may appear on windows.

Dehumidification

The thermostat reads the indoor humidity level and allows the user to set a dehumidification setting. The thermostat controls the humidity level using the cooling system or a whole house dehumidifier.

Dehumidification Using the Cooling System

When set for A/C with Low Speed Fan or A/C with High Speed Fan, an overcooling limit can be set from 0 °F to 3 °F (ISU 9070). The thermostat uses the cooling system to reduce humidity by lowering the temperature up to 3 °F below the current cool setpoint until the desired humidity level is reached. If set for A/C with Low Speed Fan, configure U contacts as normally open or normally closed (ISU 9050) and wire to the Low Speed Fan terminal on the equipment. For example, if the U contacts are normally closed, they will open when the thermostat calls for dehumidification. See Fig. 33.

If humidification and dehumidification are both setup to operate in the system mode (Off), the thermostat will automatically enforce a 15% deadband between the humidification and dehumidification settings. The thermostat will automatically switch between humidification and dehumidification to maintain the desired humidity level.

Dehumidification Overcooling Limit (ISU 9070):

This option uses the cooling system to lower the temperature up to 3° F below the current cool setpoint until the desired humidity is reached. The Dehum Overcooling Limit range is from 0° to 3° F is set for low-speed fan and 1° to 3° F if set for high-speed fan.

Set up Dehumidification With Cooling System

Some screens shown in this section may not appear on the thermostat, depending on how you set up dehumidification.

1. Select the **Dehumidification Equipment** in ISU 9000.
2. Select whether the U terminals are Normally Open or Normally Closed (ISU 9050).
 - Normally Open – contacts are normally open and will close during a call for dehumidification
 - Normally Closed – contacts are normally closed and will open during a call for dehumidification.
3. Set the Overcooling Limit (ISU 9070).

Options:

 - 0 °F to 3 °F (A/C with Low Speed Fan)
 - 1 °F to 3 °F (A/C with High Speed Fan)

Dehumidification Fan Speed Priority (T10+ Only. See ISU 9005)

If the house has circulation issues to certain parts of the house when running in low speed, this feature will allow the thermostat to use the high speed fan more often so that the conditioned air has better circulation within the home.

- Low Speed Fan with Cool Stage 1 Only when the thermostat is set to humidify with low speed fan, and humidity is high, and cooling is running at stage 1, always run with the low speed fan. When cooling goes to stage 2, it ramps up to high speed fan.
- Low Speed Fan Always Regardless of which cooling stage is active, the thermostat will exclusively use the low speed fan when dehumidifying.
- User Selectable The homeowner can set the high speed fan priority based on their comfort level (reachable via Menu > Dehumidification > Options > High speed fan)
- Menu > Dehumidification > Options > High speed fan)

If set to 10, the thermostat will always use the high speed fan and never switch into low speed mode operation. If set to 0, the thermostat will only use the low speed fan and never switch to the high speed fan when the humidity level is above the dehumidity setting.

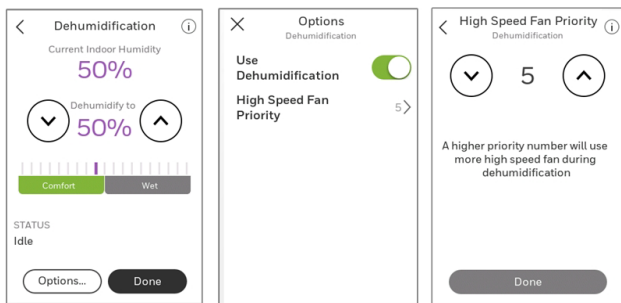


Fig. 94.

Dehumidification Using a Whole House Dehumidifier

The Whole House Dehumidifier option requires a dedicated unit for dehumidification. The thermostat can be set to control dehumidification in all modes (Heat, Off, Cool [ISU 9120]). Set up Dehumidification With Whole House Dehumidifier (Some screens shown in this section may not appear on the thermostat, depending on how you set up dehumidification.)

1. Select the Dehumidification Equipment in ISU 9000. See page 38.
2. Select the system mode(s) to allow dehumidification ISU 9120. See page 39.

NOTE: Heat includes Heat, Emergency Heat and Auto. If the system is in Auto mode, the thermostat will allow dehumidification if the last call was for heat.

Cool includes Cool and Auto. If the system is in Auto mode, the thermostat will allow dehumidification if the last call was for cool.

3. Set Dehumidifier Fan Control settings ISU 9130. See page 39.
 - Tstat Controls Fan Thermostat turns on the dehumidifier and the fan when dehumidification is needed.
 - Equip Controls Fan Thermostat turns on the dehumidifier when dehumidification is needed. The fan is controlled by the equipment.
4. Set the desired lockout option. See ISU 9140 on page 39.

Dehumidification Away Mode (T10+ Only)

See ISU settings 9180-9200.

Your system can be set to control indoor climate while your home is vacant during the humid season. If configured for Dehumidification Away Mode, before you leave, touch **MENU**, then select Dehumidification Away Mode. Temperature and humidity will be kept at levels that protect your home and possessions. When you return, touch **Stop** to resume normal operation.

Set up Dehumidification Away Mode

1. Select **Allowed** at ISU 9180.
2. Set Fan Control settings at ISU 9190.
 - On: Fan is always on.
 - Automatic: Fan runs only when cooling system is on.
 - Circulate: Fan runs randomly, about 35% of the Time.
3. Set temperature and dehumidification settings at ISU 9200
 - Low Limit Temperature Setting If the cooling system is used to control humidity while Dehumidification Away Mode is active, the thermostat allows the cooling system to lower the indoor air to the Low Limit Temperature Setting to reach the Dehumidification Setting.
 - Temperature Setting The temperature maintained while Dehumidification Away Mode is active and the desired humidity level is satisfied.
 - Dehumidification Setting The desired humidity level while Dehumidification Away Mode is active.

Control Dehumidification Level

1. Touch **MENU** and select Dehumidification.
2. Touch ▲ or ▼ to select dehumidity level.
3. Touch options if you want to enable/disable the dehumidifier. When disabled, the display will show off when viewing the dehumidifier setting screen.
4. Touch **Done** to save your settings.

NOTE: If your air conditioner is used to control humidity, the temperature may drop up to 3° F below your temperature setting until humidity reaches the desired level.

NOTE: If humidification and dehumidification are setup to operate in the same system mode (Off) the thermostat will automatically enforce a 15% deadband between the humidification and dehumidification settings. The thermostat will automatically switch between humidification and dehumidification to maintain the desired humidity level.

Ventilation

The thermostat can be set for the following ventilation types: (ISU 10000)

- ERV/HRV
- Passive (Fan Only)
- Fresh Air Damper

Ventilation Control Methods (ISU 10050)

Ventilation can be setup to meet either ASHRAE or Percent On Time settings. To meet these settings, the thermostat will ventilate during calls for heat, cool, and fan. If the required ventilation has not been achieved for ASHRAE or Percent On Time, the thermostat will force the ventilation equipment on.

ASHRAE

The thermostat operates ventilation equipment to meet the ASHRAE 62.2 ventilation standard based on CFM, number of bedrooms, and square footage of the house. ASHRAE 62.2 can only be met if the ventilation equipment is running. If the ventilation equipment is off for any reason (outdoor ventilation lockouts, set up to turn Off during Sleep period, turned off by user, etc.), ASHRAE 62.2 is not met during those times. See ISU 10125 to select a Ventilation Priority.

Percent On Time

The thermostat operates ventilation equipment based on a percentage entered in the installer setup (ISU 10120). For example if Percent On Time is set to 50%, the ventilation equipment will run at random times during a 1 hour period until it reaches a 50% run time (approximately 30 minutes). Default setting is 30%. Range is 10% to 100% in 10% increments.

Ventilation Fan Control (ISU 10060)

- Tstat Controls Fan
 - The thermostat turns on the ventilator and the fan when ventilation is needed.
- Equip Controls Fan
 - The thermostat turns on the ventilator when ventilation is needed. The fan is controlled by the equipment.

Ventilation Priority (ISU 10125) Lockouts are Priority

The thermostat places a priority on lockouts versus the ASHRAE 62.2 ventilation standard. The thermostat will not run ventilation during the following lockout conditions (if configured) unless you manually call for ventilation:

- Lockout Ventilation during Outdoor Conditions (ISU 10130)
- Lockout Ventilation during “Sleep” program periods. Note: This option is set by the user on the Ventilation screen. From Home press Menu > Ventilation > Options > Disable During Sleep.

ASHRAE IS PRIORITY

ASHRAE requires additional ventilation following a long off cycle. The thermostat meets the ASHRAE 62.2 ventilation standard by running additional ventilation when outdoor conditions are favorable. If ASHRAE cannot be met when outdoor conditions are favorable, the thermostat will override the outdoor lockouts and run ventilation. When using this option, it is recommended to increase the rate (CFM) of the ventilation equipment to meet the ASHRAE 62.2 ventilation standard in a shorter run time.

NOTE: The ability to lockout ventilation during the “Sleep” program periods is not an option when you select ASHRAE is Priority.

VENTILATION – OUTDOOR CONDITION LOCKOUTS (ISU 10130)

Ventilation will not operate when outdoor conditions exceed the lockout settings unless you manually call for ventilation or Ventilation Priority (ISU 10125) is set to ASHRAE is Priority and ventilation is needed to meet ASHRAE. Lockouts can prevent ventilation during extreme weather conditions to keep humid, hot, and cold air out of the home.

NOTE: This feature requires outdoor sensor for outdoor temperature limits, or Internet connection for temperature and humidity lockouts.

Options are:

- Ventilation Low Temperature Lockout Setpoint (Off, -20° to 40° F)
- Ventilation High Temperature Lockout Setpoint (Off, 80° to 110° F)
- Ventilation High Dewpoint Lockout Setpoint (Off, 65° to 85° F)

Refer to the information below if you need assistance setting the High Dewpoint Lockout.

- Higher than 80: Extremely uncomfortable
- 75 to 80: Very uncomfortable
- 70 to 74: Quite uncomfortable
- 65 to 69: Somewhat uncomfortable

Ventilate On High Indoor Humidity (ISU 10160)

If set to ventilate on high indoor humidity, the ventilator turns on to remove excess humidity if the indoor humidity is 10% above the humidification setting. The thermostat must be in the heat mode to ventilate on high indoor humidity. If frost control is used, then the ventilation setting will adjust to stay approx. 10% RH above the humidity setting.

Control Ventilation Level

1. Touch **MENU**, and select Ventilation. You can check or change the ventilation mode.

Mode:

- Auto: Ventilation runs as programmed by the installer.
- Off: Ventilation remains off unless turned on using the timer.
- On: Ventilation is always on.

The display will show whether the ventilator is currently running under “status”. To temporarily turn the ventilator on, use the up arrow to set the number of minutes you want the ventilator to run (0-180 minutes). To cancel a temporary setting, press “Cancel Timed Ventilation”. Note: This setting is not available when ventilator is set to “on”.

2. Touch **Done** to save your settings. Touch **Cancel** to ignore changes.

Lockout During Sleep:

Under the ventilation menu, touch **Options**. Select or deselect **Disable During Sleep**. Touch the back arrow in upper left of display to return to previous screen.

ADVANCED FEATURES

Cleaning the Thermostat Screen

When you select the Clean Screen option, the screen is locked to prevent accidental changes to the thermostat while you clean the screen.

1. Touch **MENU**.
2. Scroll down and select **Preferences**.
3. Select **Display**.
4. Select **Clean Screen**.
A prompt asks if you want to clean the screen for 30 seconds.
5. Touch **Yes**. A countdown timer displays elapsed time until the screen is reactivated.

NOTE: Do NOT spray any liquid directly on the thermostat. Spray liquids onto cloth, then use the damp cloth to clean the screen. Use water or household glass cleaner. Avoid abrasive cleansers.

Adjusting Security Settings

You can adjust security options to prevent unauthorized changes to system settings.

1. Touch **MENU**.
2. Scroll down and select **Security**.
3. If you already know the password, select **Change Lock Mode**. If you don't know the password, select **Create Password**.

Lock mode options

- Unlocked: Full access allowed.
- Partially locked: Only temperature can be changed.
- Fully locked: No access allowed.

NOTE: If you choose **Create Password** make sure to write it down for reference.

Dealer Information

This can be viewed by the homeowner when an alert or reminder message appears on the thermostat display. Entering Dealer Information

1. Touch **MENU**.
2. Scroll down and select **Dealer Information**. If this information has not previously been entered, note the date code from this screen.
3. Touch the back arrow in upper left of display.
4. Select **Installer Options**.
5. Enter date code.
6. Select **Dealer Information Setup**.
7. Click on each of the categories to enter the dealer information.
 - Company
 - Phone
 - Website
 - Email

Viewing Dealer Information

Check dealer information if you need to contact your installer for maintenance, repairs, or upgrades.

1. Touch **MENU**.
2. Scroll down and select **Dealer Information**.

NOTE: This menu option will only appear if the contractor had entered this information.

Auto Changeover Operation

Auto changeover is available if the thermostat is configured for at least 1 heat stage and 1 cool stage and ISU 3000 is set to "Auto".

When configured this way, you can select "Auto" as one of the options under "System mode".

ISU 3015 is the auto changeover differential setting. It can be set from 0-3 °F. (0-2.5 °C) to This is the minimum number of degrees needed between the heat and the cool setpoints when the thermostat is in auto changeover mode. When in auto mode, the customer can always set the heat and cool setpoint to the same temperature, regardless of the differential setting although most customer prefer to have a cool setpoint that is at least 3 degrees above the heat setpoint. When 0 is selected, we enforce a 1.5°F differential behind the scenes to ensure the heat doesn't come on after cooling shuts off or vice-versa.

The differential is the minimum number of degrees the temperature needs to rise or fall before switching from heat to cool while in auto changeover mode. Example: If heat and cool were both set for 70, and heat had been used last, the temperature would need to rise at least 3 degrees above the heat setpoint before the thermostat would turn on cooling. Then it would cycle cooling on and off to maintain setpoint and the temp would need to drop at least 3 degrees below the cool setpoint before heat could come on.

If the AC is used for dehumidification then we enforce an additional temp drop below the overcooling amount, (ISU 9070) prior to switching back to heat.

Em Heat and Auxiliary Heat Operation

Auxiliary heat:

- Auxiliary heat runs as backup to the heat pump. It runs with the heat pump when:
- The thermostat is set to heat mode.
- The backup heat is set to electric (ISU 2180).
- Load conditions determine backup heat is needed.

The heat pump could be locked out when in heat mode by the balance point setting (ISU 3120) or if the backup heat is gas or oil and backup heat differential (ISU 3090) or upstage timer (ISU 3110) are used.

Emergency heat:

Emergency heat runs when you manually switch the thermostat to the em heat mode. When the thermostat is in emergency heat mode, the heat pump is locked out.

Emergency heat mode is only available when the thermostat is configured for a heat pump (ISU 2000) and Backup heat stages is set to 1 (ISU 2071).

From home screen touch the menu icon and then "system Mode". You can set the thermostat to heat, off, cool, emergency heat, or auto (auto only available if ISU 3000 is set to auto).

When the thermostat is set to em heat mode, the heat pump is locked out and the backup heat is used to maintain the heat setpoint.

If ISU 2175 is set to "Drive aux and E together", then with a call for emergency heat or auxiliary heat, both E and AUX terminals are energized. Typically the backup heat is wired to Aux and E is unused when set this way.

If ISU 2175 is set to "Aux and E independent", then with a call for emergency heat, the E terminal is energized and the aux terminal is not. The wire to Aux controls a heat source that runs as backup heat to the heat pump when the mode is set to "heat". The wire to E controls a heat source that runs independent of the heatpump when mode is set to em heat. In most cases, the heat pump uses the same heat source for auxiliary heat and em heat.

Dual fuel systems (Heat pump with gas or oil furnace backup) cannot run the heat pump and furnace at the same time.

Adaptive Intelligent Recovery

Over time, the T10 or T10+ thermostat "learns" how long it takes your system to reach your programmed temperature setting.

The thermostat turns on the heating/cooling system early and assures that the programmed temperature setting is reached at the programmed time regardless of weather conditions. For example, if the Wake program period is set to 6:00 am with a heat setting of 70 degrees, the heat will turn on before 6:00 am, so the temperature is 70 degrees at 6:00 am. The thermostat displays "In Recovery" when it turns the system on early.

Adaptive Intelligent Recovery® calculates the recovery ramp based on how far the room temperature is away from the temperature setting, previous equipment performance and weather history, allowing the thermostat to start recovery at the optimal time so it can reach the programmed temperature setting at the programmed time. The T10 or T10+ thermostat uses two recovery ramps when setup to control a heat pump system. One ramp for the compressor and one ramp for the auxiliary heat. Once the room temperature intersects the compressor ramp, the compressor turns on until the setpoint is reached. If the room temperature does not rise quickly enough and intersects the second ramp, the auxiliary heat turns on. It takes about one week for the thermostat to adjust to weather conditions, equipment performance and construction of the home. If the temperature setting is reached too early or too late, the ramp is adjusted for the next day's recovery. See Fig. 95.

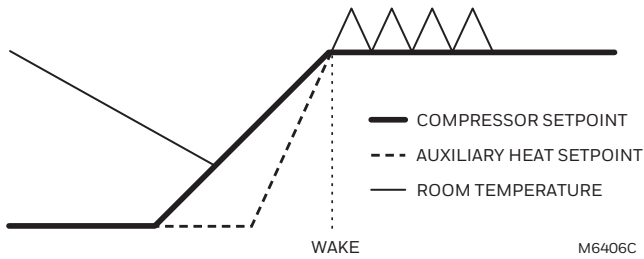


Fig. 95.

Compressor Protection

The thermostat keeps the compressor off for a few minutes before restarting, to prevent equipment damage. During this "off" time, the message "Wait" is displayed on screen.

P + I Control

A conventional mechanical or electronic thermostat does not control temperature precisely at setpoint. Typically there is an offset (droop) in the control point as the system load changes. Many factors contribute to offset including the switch differential, thermal lag, overshoot, cycle rates and system load.

The T10 or T10+ thermostat however, works much differently than a conventional mechanical or electronic Thermostat when droop is set to comfort. Droop is always set to comfort and not adjustable when controlling a 2 stage furnace or 2 stage heat pump without aux heat. The proprietary algorithm in the thermostat eliminates the factors causing offset (droop). This makes temperature control more accurate than the conventional mechanical or electronic thermostat. The temperature control algorithm is called proportional plus integral (P + I) control.

The thermostat sensor or indoor sensor senses the current space temperature. The proportional error is calculated by comparing the sensed temperature to the setpoint temperature. The deviation from the setpoint is the proportional error.

The thermostat also determines integral error, which is a deviation based on the length of error time (how long the sensed room temperature has been away from the setpoint temperature). The sum of the two errors is the (P + I) error.

The cycle rate used to reach and maintain the setpoint temperature is computed using the P + I control algorithm. The addition of the integral error is what differentiates the thermostat from many other mechanical and electronic thermostats.

Heat Differential

For stage 2 of conventional systems or 2 stage heatpump without aux heat

The thermostat will use the stage of heating as needed to keep the indoor temperature within 1 °F (0.5 °C) degree of the setpoint. The thermostat turns on stage 2 when the capacity on stage 1 reaches 90%.

Heat pumps with electric aux heat when droop is set to "comfort"

The thermostat will use the stage of heating as needed to keep the indoor temperature within 1 °F (0.5 °C) degree of the setpoint. The thermostat turns on Aux heat when the capacity on highest compressor stage has reaches 90%.

Heat pumps with electric aux heat when droop is set to 2°F or higher

(2 °F to 15 °F adjustable)

If the indoor temperature drops to the droop amount while the highest compressor stage is running the thermostat will continue to run the heatpump stages and also energize the Aux heat.

For example, if the Backup Heat Droop is set to 2 °F (1.0 °C), the indoor temperature must drop 2 °F (1.0 °C) below the setpoint while the previous stage is running before the backup heat turns on. Raising setpoint manually or by a schedule change does not cause droop to run the backup heat. When droop is set to other than comfort, the upstage timer setting is also available.

Dual fuel Heat pumps with gas or oil backup heat

If thermostat is configured to control dual fuel, the droop cannot be set to comfort. It will default to 2 °F and can be adjusted from 2 °F to 15 °F.

If the indoor temperature drops to the droop amount while the highest compressor stage is running the thermostat will end the call for the heatpump stages and run the fossil fuel heat stage.

For example, if the Backup Heat Droop is set to 2 °F (1.0 °C), the indoor temperature must drop 2 °F (1.0 °C) below the setpoint while highest heatpump stage is running before the thermostat will shut down the heat pump and run the fossil fuel heat.

Raising setpoint manually or by a schedule change does not cause droop to run the backup heat. When droop is set to other than comfort, the upstage timer setting is also available.

Upstage Timer

The upstage timer setting is only available when:

The thermostat is configured for a heat pump with an aux heat stage (electric or fossil fuel).

The droop setting is set to a setting other than “Comfort” (2 °F to 15 °F).

Backup Heat Upstage Timer options are Off, 30 minutes to 16 hours. Default is Off.

The upstage timer allows* the aux heat to run when the highest heat pump stage has run for longer than the timer setting during a steady state condition. Steady state means the thermostat is cycling to maintain setpoint.

Manually raising the setpoint or a scheduled setpoint change will not trigger the upstage timer. In those conditions the thermostat will not use backup heat unless a different condition triggers the thermostat to run the backup heat (Droop, balance point, or manually switching the thermostat to em heat mode).

*Droop and upstage timer are designed to restrict the auxiliary heat for customers who are energy conscious. The aux heat does not necessarily run after the timer has expired even in a steady state condition. Once the timer expires in steady state the thermostat calculates whether or not to run the aux heat based on the load capacity of the highest heat pump stage.

If the heat pump struggles to maintain setpoint, we would suggest one of the following steps:

1. Verify the heat pump is operating as expected.
2. Set a balance point. If a balance point is already used but the heatpump cannot handle the load even when operating correctly, the installer may need to raise this setting.
3. For heat pump with electric backup heat, set the droop to “Comfort”, this uses the backup heat more aggressively.“

Programmed Recovery

If the primary heat is making progress as expected, backup heat will not be used to reach the setpoint of the next program period. Backup heat is always restricted during a programmed recovery when the Adaptive Intelligent Recovery feature is used. See note below.

NOTE: During a programmed recovery (or when the temperature setpoint is changed by the user), the thermostat waits to turn on the backup heat depending on system performance, load conditions and how many degrees the temperature setpoint is changed. Backup heat will be used ONLY when the temperature is not rising quickly enough to reach the setpoint in a reasonable time. Upstage timer for heat pump with aux heat applications is only used in steady state (cycling to maintain setpoint). The thermostat will not run the aux heat during a programmed recovery unless one of the following conditions occurs:

1. Droop is set for comfort and thermostat calculates that the heatpump cannot effectively handle the load conditions.
2. Droop is set to 2 °F to 15 °F and indoor temperature drops while the highest stage of heatpump is running.
3. Outdoor temperature drops below the balance point setting (if used).
4. Thermostat is manually switched to em heat mode.

Finish with High Heat stage and/or Finish with High cool stage

These settings allow the installer to keep the high stage of the equipment running until the desired setpoint is reached. This setting is recommended for Geothermal Heat Pumps to allow the loop to rest.

When set to no (default), the thermostat cycles the stages based on load conditions and the cycle rate setting for these stages.

“Finish with High Cool Stage” is ISU 3020 “Finish with High stage Stage,” is ISU 3021. Set to **Yes** to turn on these features. Default is No.

HEAT PUMP AND BACKUP HEAT OPERATION

Heat pump with outdoor temperature lockouts

Outdoor temperature lockouts are optional. See Installer Setup options (ISU 3120).

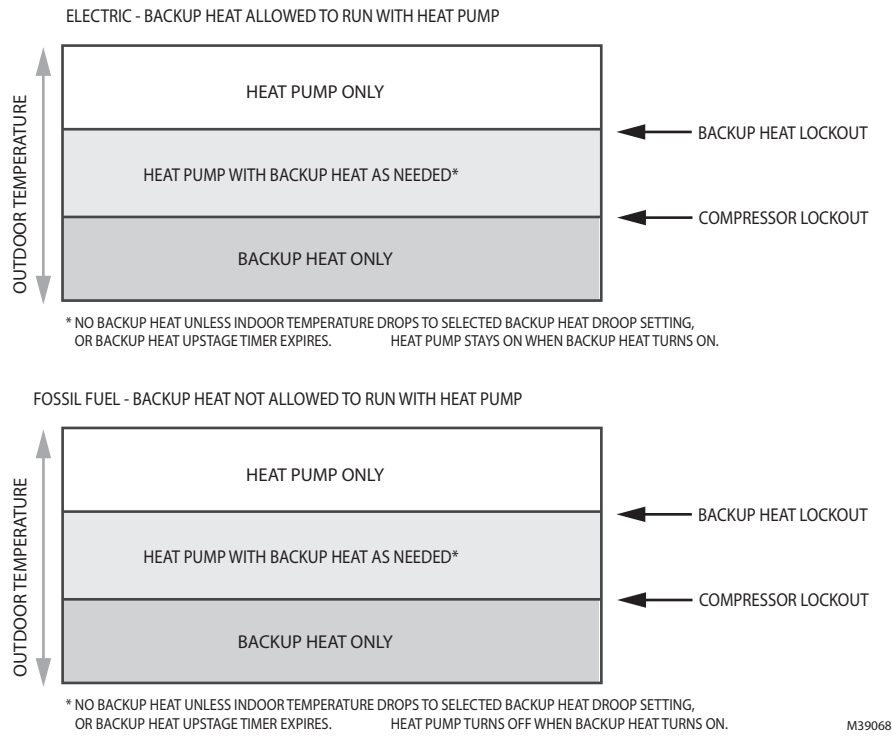


Fig. 96. Heat Pump and Backup Heat Operation.

Dry Contact Alerts (ISU 6000-6220)

A Dry Contact device such as a wet switch can be connected to the S1, S2, S3, or S4 terminals at the Equipment Interface Module. When the dry contact device detects a problem, the thermostat displays an alert on the home screen along with the dealer information.

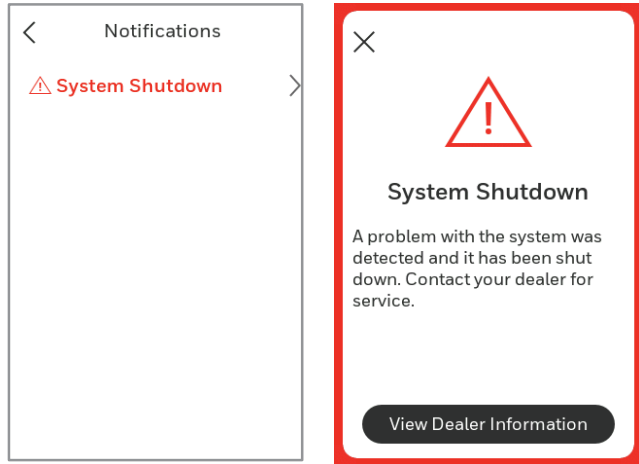


Fig. 97.

When the user presses the alert for more info, the Notification screen is displayed, prompting them to contact their dealer.

The following dry contact alerts are available for the T10+ with EIM:

Full Drain Pan Alert

When the dry contact device detects that the condensate drain pan is full, the thermostat provides an alert to the user.

NOTE: When a full drain pan alert is selected, there is a follow up setting asking if you want to shut off the system when this alert is active or just send the alert message.

Dirty Filter Alert

When the dry contact device detects a dirty air filter (pressure drop across the filter), the thermostat provides an alert to the user to replace the filter.

Water Leak Alert

When the dry contact device detects a water leak, the thermostat provides an alert to the user.

NOTE: When a full water leak alert is selected, and the T10+ is configured to control a humidifier there is a follow up setting asking if you want to shut off the humidifier when this alert is active or just send the alert message.

System Shutdown Alert

When the dry contact device detects a critical problem with the system, the thermostat provides an alert to the user indicating that the system was shut down. When the

dry contact device detects a problem with the system (for example, smoke detection), the thermostat will not call for heating, cooling, fan or IAQ equipment until the dry contact is deactivated or the feature is unconfigured at the thermostat.

Service Needed Alert

When the dry contact device detects an issue that requires service, the thermostat provides an alert to the user.

Fan Failure Alert

The Fan Failure Alert protects the equipment when there is no airflow. When the dry contact device (for example, sail switch) detects no air flow for 5 minutes after a call for forced air heat, cool, or fan, the thermostat provides an alert to the user indicating that the system was shut down due to a lack of airflow.

The thermostat will call for the fan and lockout all other equipment until the dry contact device senses air flow again or the feature is unconfigured at the thermostat.

Custom Alert

Allows the dealer to enter a custom alert to be displayed when a dry contact device is activated. For example, a float switch can detect when your sump pump is not working.

Dry Contact Setup Example

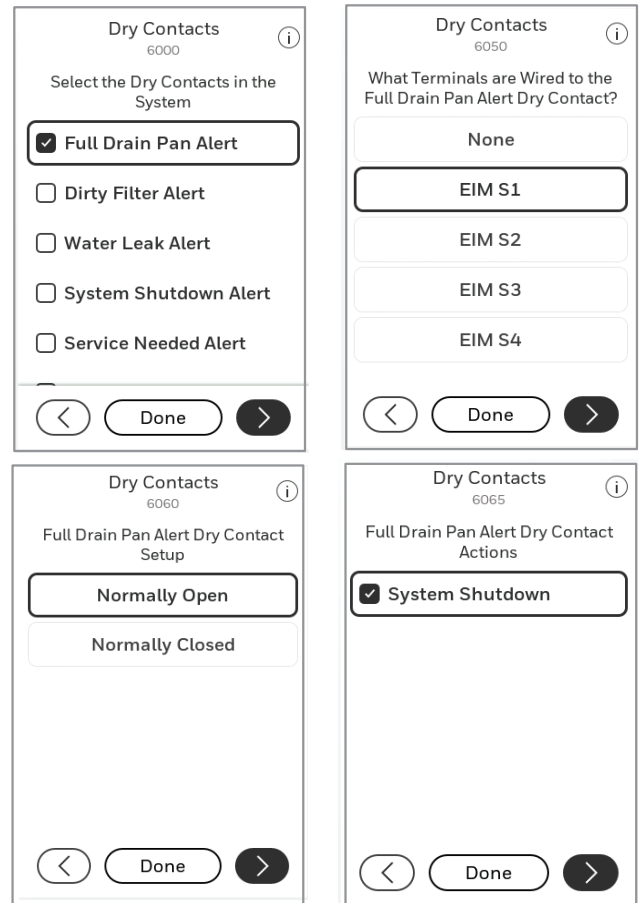


Fig. 98. Dry contact setup example.

Battery Replacement

Indoor Sensor

BATTERY LEVEL INDICATORS

- Good: Status light flashes green for 5 seconds.
- Low: Status light flashes red for 5 seconds. Use fresh batteries.
Battery level indicators (during use)
- Good: Status light remains off.
- Low: Battery power will be depleted in about 2 months. Thermostat displays Low Battery warning. Status light remains off.
- Critical: Battery power will be depleted in about 2–3 weeks. Status light flashes red.

BATTERIES

Replace batteries in your indoor sensor when a warning appears on the thermostat screen, about 60 days before batteries are depleted.

When the sensor status light begins flashing red, battery power is critically low and will be depleted within 2–3 weeks. During normal operation, the status light remains off.

To replace the batteries:

1. Remove the sensor from wallplate.
2. Install 2 fresh AAA alkaline batteries. If the status light flashes green, batteries are good; if it flashes red, you must use fresh batteries.
3. Attach sensor to wallplate.

The sensor will restore communication with the thermostat a few seconds after new batteries are installed.

Outdoor Sensor

Replace batteries in your outdoor sensor when a warning appears on the thermostat screen, about two months before batteries are depleted.

After new batteries are installed, the outdoor sensor will restore communication with the wireless network within a few seconds.

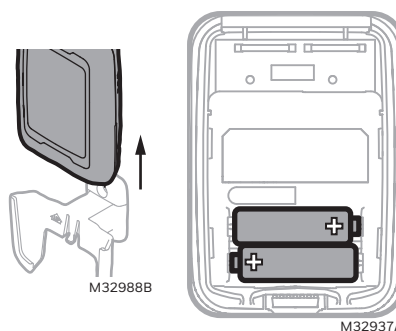


Fig. 99.

RESIDEO PRO APP

The Resideo Pro app allows the installer to:

- Add multiple customer's information and link the thermostats to each customer.
- Get alerts through the pro app if a thermostat has an alert message.
- Get maintenance reminders messages through the app when the thermostat is displaying a reminder.

Steps

1. After doing the thermostat setup (linking to EIM if used, setting the system type and other ISU settings), select **MENU > THERMOSTAT INFORMATION** and scroll down to the QR code. Scan this code with your phone
2. Open the Resideo Pro App. If you do not already have the Resideo Pro app, download the app and create your account.
3. Select **Customers**.

If the thermostat installed is for an existing customer choose them from the list. If it is a new customer, select "add customer".

Once you have finished adding the customer information below, the app will send an email to the customer inviting them to download the app if they don't already have the app or to connect the thermostat to WiFi if they already have the app and the thermostat wasn't added to WiFi by the installer.

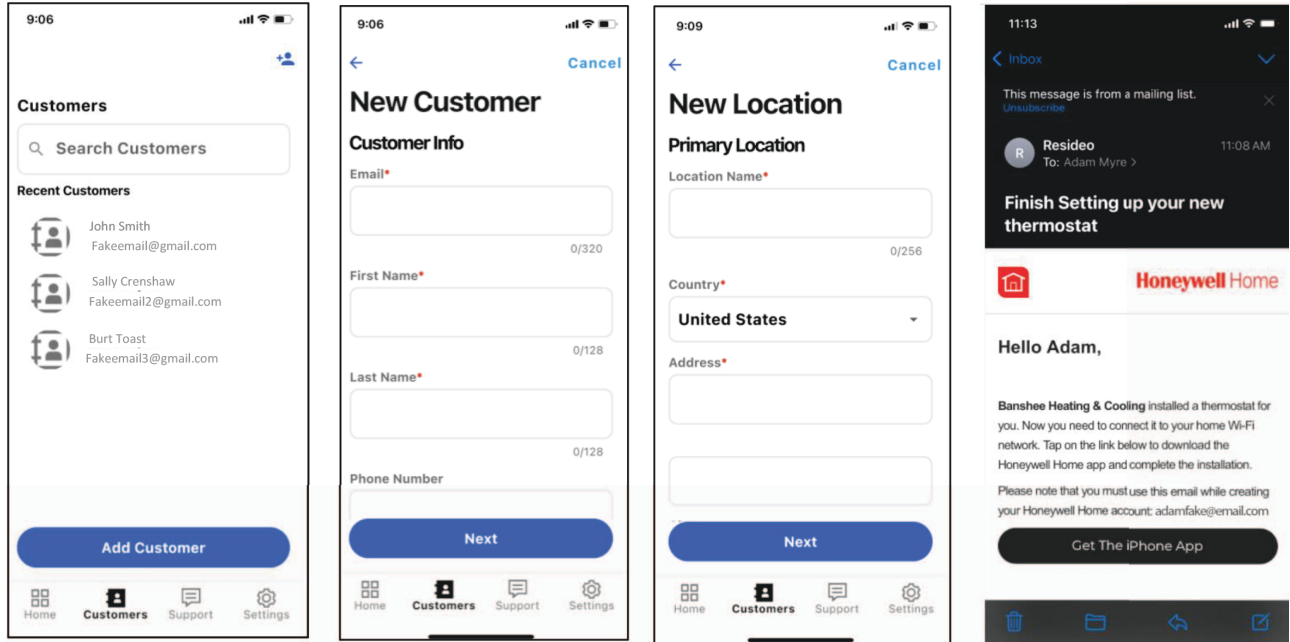


Fig. 100.

FREQUENTLY ASKED QUESTIONS (FAQS)

WiFi connection questions

Q: Will the thermostat still work if the WiFi connection is lost?

A: Yes, you can still manually adjust the temperature at the thermostat. However, some features such as location-based temperature control (geofencing technology) can only be managed through the Resideo app and will not function without a WiFi connection. The thermostat will automatically reconnect to WiFi once the network is restored.

Q: Is there a way to extend the strength of my WiFi signal?

A: The range (distance) of your WiFi signal is determined by your router. Try moving your router closer to the location of the thermostat, or use a router with a stronger signal range.

Q: There's an alert that says "WiFi signal lost" - what should I do?

A: Wait 5 minutes for the thermostat to reconnect or select an alternate network (if you have one) in the Resideo app configuration menu. If the thermostat isn't able to reconnect, you'll need to troubleshoot the router to determine the cause.

Resideo account and app questions

Q: Why haven't I received an account activation email?

A: If you haven't received an activation email after 5 minutes, check your Spam folder and look for an email from customer-service@resideo.com. If you don't see it, tap Resend to have the activation email resent. If you still don't receive it, please contact the Technical Support team at 1-800-633-3991.

Q: Can I set up my thermostat with multiple users?

A: Yes. To add users, log into the Resideo app and tap the menu icon in the upper left corner. Select Manage Users, tap Add User and type in the email addresses of the people you'd like to invite. If they already have a Resideo account set up, the thermostat and its location will automatically be added to their account. If they don't have an account, they'll receive an email prompting them to download the Resideo app and create a new account.

Q: Can I set up location-based temperature control with multiple users?

A: Yes. Location-based temperature control (geofence technology) will activate based on the last person who leaves and the first person to return. Each user will need to create their own Resideo account with a login ID and password. Two users should not share the same account. Each user will then need to enable location-based temperature control.

Q: Why doesn't a change I made in the app show up on the thermostat?

A: There may be a short delay when you make temperature and settings changes in the Resideo app. Wait a few minutes, and if you still don't see your changes on the thermostat, make sure the thermostat is still connected to WiFi and restart your Resideo app.

Software and security questions

Q: How can I be sure my thermostat is running the most up-to-date firmware?

A: When your thermostat is connected to WiFi, it will automatically receive over-the-air firmware updates from the Resideo app. These firmware updates contain things such as new features as well as security upgrades. Keep your thermostat connected to WiFi to ensure it receives these updates.

Q: How can I prevent a cybercriminal from making unauthorized changes to my thermostat?

A: If a cybercriminal gains access to your WiFi router, they can tamper with a wide range of online activities, including the settings on your connected devices. Make sure you change the default password on your WiFi router, and when you select a new password, make sure it uses multiple upper- and lower-case letters and special characters.

Other questions

Q: How can I uninstall my T9 Smart thermostat?

A: If you want to replace your T9 Smart thermostat, or if you're moving out of your home and leaving the thermostat behind, you'll first want to clear out the personal settings that are stored on the thermostat. (Even when disconnected from power, the thermostat will keep your settings and home router information in memory.) We recommend resetting the thermostat's WiFi and HomeKit® settings (if previously connected).

Q: Is there a motion sensor in the thermostat?

A: There is not a motion sensor in the thermostat. In most homes, the thermostat is mounted in a hallway, so when using active rooms for priority sensing, we would want to exclude the thermostat.

Q: What happens if "Active rooms" is used and no motion is detected in any of the rooms with sensors?

A: If the thermostat is set to control by active rooms, and no motion is detected, the sensor in the thermostat is used and the remote sensors are excluded. Most people schedule the sleep period to use "Selected sensors" rather than "active sensors" and choose the bedrooms for the sleep schedule.

Q: When using active rooms, how long are those rooms considered after motion has last been detected?

A: The sensor has a dynamic occupancy algorithm based on how many motion events it sees within a certain timeframe. If someone walks through a room, then the room will be occupied for 10 minutes. If someone is in a room longer, then the timeout will be increased automatically.

Q: How do the wireless indoor sensors detect motion.

A: The sensors use a Passive Infrared Sensor (PIR) detector.

Q: How does motion-based priority work with multiple people in the house?

A: If the thermostat priority setting is set to 'Active Rooms', then any room that detects motion will become prioritized, and those Rooms' temperatures will be averaged together

to be used as the effective indoor temperature. If people leave the room, then the sensor will need to wait for the timeout.

Q: What's the range of detection on the motion sensor?

A: There are many factors that can affect this (height, body size, layers of clothing, temperature of clothing, angle, etc.). The typical range of our sensor is up to 20 feet.

Q: How does motion-based priority work with multiple people in the house?

A: If the thermostat's priority is set to 'Active Rooms', then any room that detects motion will become prioritized. The average of those rooms' temperatures will be monitored so that the thermostat can adjust to your preferred temperature setpoint. If one of the sensors no longer detects people in that room, that sensor will adjust after a period of time, using the algorithm based on motion events that it sees within a certain timeframe.

Q: When using active rooms, how long are those rooms considered "Active" after motion has last been detected?

A: The sensor has an occupancy algorithm based on how many motion events it sees within a certain timeframe. This was set up so that if someone briefly walks through a room, the sensor will tell the thermostat that the room is "occupied" for 10 minutes. If someone is in a room longer, then the timeout will be increased automatically.

Sensors communicate directly with the thermostat via Honeywell Home RedLINK technology. After sensing motion, the communication should take less than 3 seconds to assign the room priority, depending on battery and signal strength.

TROUBLESHOOTING

If you have difficulty with your thermostat, please try the following suggestions. Most problems can be corrected quickly and easily.

Display is blank:

- Check circuit breaker and reset if necessary.
- Make sure power switch for heating & cooling system is on.
- Make sure furnace door is closed securely.
- Make sure the C wire is connected.

Heating or cooling system does not respond:

- Press **Menu > System Mode > Heat > Done** to set the system to Heat mode. Make sure the desired temperature is higher than the indoor temperature.
- Press **Menu > System Mode > Cool > Done** to set the system to Cool mode. Make sure the desired temperature is lower than the indoor temperature.
- Check circuit breaker and reset if necessary.
- Make sure power switch for heating & cooling system is on.
- Make sure furnace door is closed securely.
- Wait 5 minutes for the system to respond.

Temperature settings do not change:

1. Verify the thermostat is set to the correct mode. Press **Menu-Mode** to change mode setting.
2. If the display indicates “screen locked” when you press the up or down arrow, you can unlock the screen by selecting menu-security settings.
3. The thermostat may be preventing you from changing the set-point above or below a certain setting because of installer configured minimum and maximum settings. See the ISU settings for 4100 on page 35.

Default minimum and maximum settings:

- Heat: 40 °F to 90 °F (4.5 °C to 32.0 °C)
- Cool: 50 °F to 99 °F (10.0 °C to 37.0 °C)

Aux heat runs in cooling:

- For heat pump systems, verify there is not a wire attached to W on the UWP.

Cool runs with a call for heat:

- For heat pump systems, verify there is not a wire attached to W on the UWP.

Cooling runs below set-point:

Cool should never run unless the display is solid blue and shows “cooling to” rather than “cool to”.

If ISU 9000 is set for AC with low speed fan or AC with high speed fan, the T10 or T10+ can run cooling up to 3 degrees below set-point when humidity is high. It will cool 1 degree below set-point for approximately every 4% RH above the dehumidify setting.

WiFi Issues:

See pages 41 to 42.

Active rooms is selected but one or more of my sensors doesn't register activity:

Go to **MENU/PRIORITY ON THERMOSTAT**. Verify active rooms is selected. View the status of the sensor(s) in question in that screen. If there is not an indication of occupancy by that sensor (green person next to sensor name) move in front of the sensor.

If that doesn't change the status of the sensor:

- Verify the sensor you are testing is the one you see in the display. To do so, go to **Devices** and sensors and select the sensor name.
- Verify the **Use Motion** slider is set to enabled.

If so, select **OPTIONS/BLINK LIGHTS**. Go back to the sensor and verify it has a blinking light.

If not, check the other sensors in the home to see if the sensors were placed in the wrong rooms.

REGULATORY INFORMATION

FCC REGULATIONS

47 CFR § 15.19 (a)(3)

This device complies with part 15 of the FCC Rules. Operation is subject to the following two conditions:

1. This device may not cause harmful interference, and
2. This device must accept any interference received, including interference that may cause undesired operation.

47 CFR § 15.21 (USA only)

Changes or modifications not expressly approved by the party responsible for compliance could void the user's authority to operate the equipment.

47 CFR § 15.105 (b)

See <https://customer.resideo.com/en-US/support/residential/codes-and-standards/FCC15105/Pages/default.aspx> for additional FCC information for this product.

IC REGULATIONS RSS-GEN

This device complies with Industry Canada's license-exempt RSSs. Operation is subject to the following two conditions:

1. This device may not cause interference; and
2. This device must accept any interference, including interference that may cause undesired operation of the device.

UL and ULC Listed per Standards UL 60730-1 and CAN/CSA E60730-1



CAUTION ELECTRICAL HAZARD

Can cause electrical shock or equipment damage. Disconnect power before beginning installation.



CAUTION EQUIPMENT DAMAGE HAZARD

Compressor protection is bypassed during testing. To prevent equipment damage, avoid cycling the compressor quickly.



CAUTION MERCURY NOTICE

If this product is replacing a control that contains mercury in a sealed tube, do not place the old control in the trash. Contact your local waste management authority for instructions regarding recycling and proper disposal.



CAUTION ELECTRONIC WASTE NOTICE

The product should not be disposed of with other household waste. Check for the nearest authorized collection centers or authorized recyclers. The correct disposal of end-of-life equipment will help prevent negative consequences for the environment and human health.

Use of the Works with Apple badge means that an accessory has been designed to work specifically with the technology identified in the badge and has been certified by the developer to meet Apple performance standards. Apple is not responsible for the operation of this device or its compliance with safety and regulatory standards. AirPlay, iPad, iPad Air, iPad Pro, iPhone and iPod touch are trademarks of Apple Inc., registered in the U.S. and other countries. HomePod is a trademark of Apple Inc.



www.resideo.com

Resideo Technologies, Inc.
1985 Douglas Drive North, Golden Valley, MN 55422
1-800-468-1502
33-00462-04 M.S. Rev. 09-22 | Printed in United States