



INSTALLATION DATA 1950/1951 Series Thermopiles

TURN OFF GAS SUPPLY TO EQUIPMENT BEFORE SERVICING.

REPLACING ALL MODELS EXCEPT THOSE ON GENERAL CONTROLS PG9 PILOT GENERATOR

1. Remove old thermopile.
2. Assemble replacement thermopile into the pilot.
3. Connect the leads to the same terminals as the originals.
4. Turn on the gas to the equipment being serviced, and light the pilot following the lighting procedures specified by the equipment manufacturer.
5. Observe for proper flame characteristics - stable flame with blue coloring. Check that the thermopile has correct flame impingement - flame heating upper 3/8" of thermopile tip.

REPLACING GENERAL CONTROLS PG9 PILOT GENERATOR

1. Remove the old thermopile.
2. Using the adaptor supplied, (with selected models), assemble the thermopile and adaptor by screwing the thermopile nut into the adaptor. See figure 1.
3. Push thermopile into PG9 pilot until the adaptor is flush with top of the flame ring. **NOTE:** For proper operation adaptor **MUST BE** flush. See figure 2.
4. Bend the retaining tab back to hold thermopile in place.
5. Follow instructions given in steps 3, 4 and 5 above.

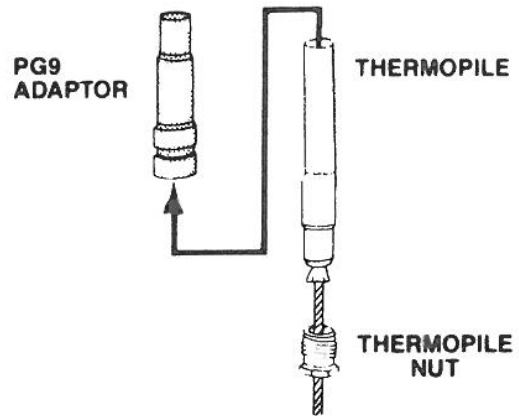


FIGURE 1

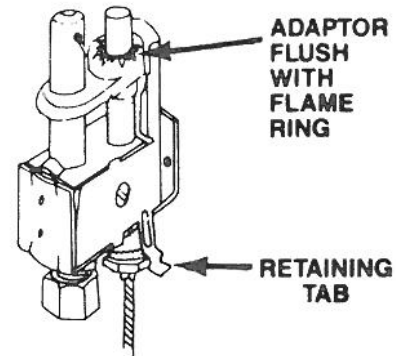


FIGURE 2



Customer Service Telephone 1.800.304.6563
Customer Service Facsimile 1.800.426.0804
HVACCustomerService@robertshaw.com

For Technical Service
Telephone 1.800.445.8299
Facsimile 1.630.260.7294
TechnicalService@robertshaw.com

Robertshaw®, Ranco®, Paragon® and Uni-Line® are trademarks of Robertshaw, its subsidiaries and/or affiliated companies. All other brands mentioned may be the trademarks of their respective owners.

www.uni-line.com
www.robertshaw.com
©2014 Robertshaw
11/14 -1-952 Rev C