

The Fresh Air Ventilation system is designed to introduce fresh air into a home through an intake damper controlled by a micro-processor logic panel. The iO-FAVR-ENHANCED has single adjustment setup, exhaust fan control option, outdoor temperature and/or humidity limit option and damper override capabilities. It is easy to install and meets ASHRAE Standard 62.2. Preassembled and wired with 20VA transformer, relay to energize an exhaust fan and gang box for line voltage separation.

Features and Benefits:

- ASHRAE 62.2 compliant system
- Exhaust fan control option
- Limiting/Override options
- Single adjustment setup
- On-Demand CO2 detection
- Preassembled with 20VA transformer
- Preassembled with a relay to energize exhaust fan

Warranty:

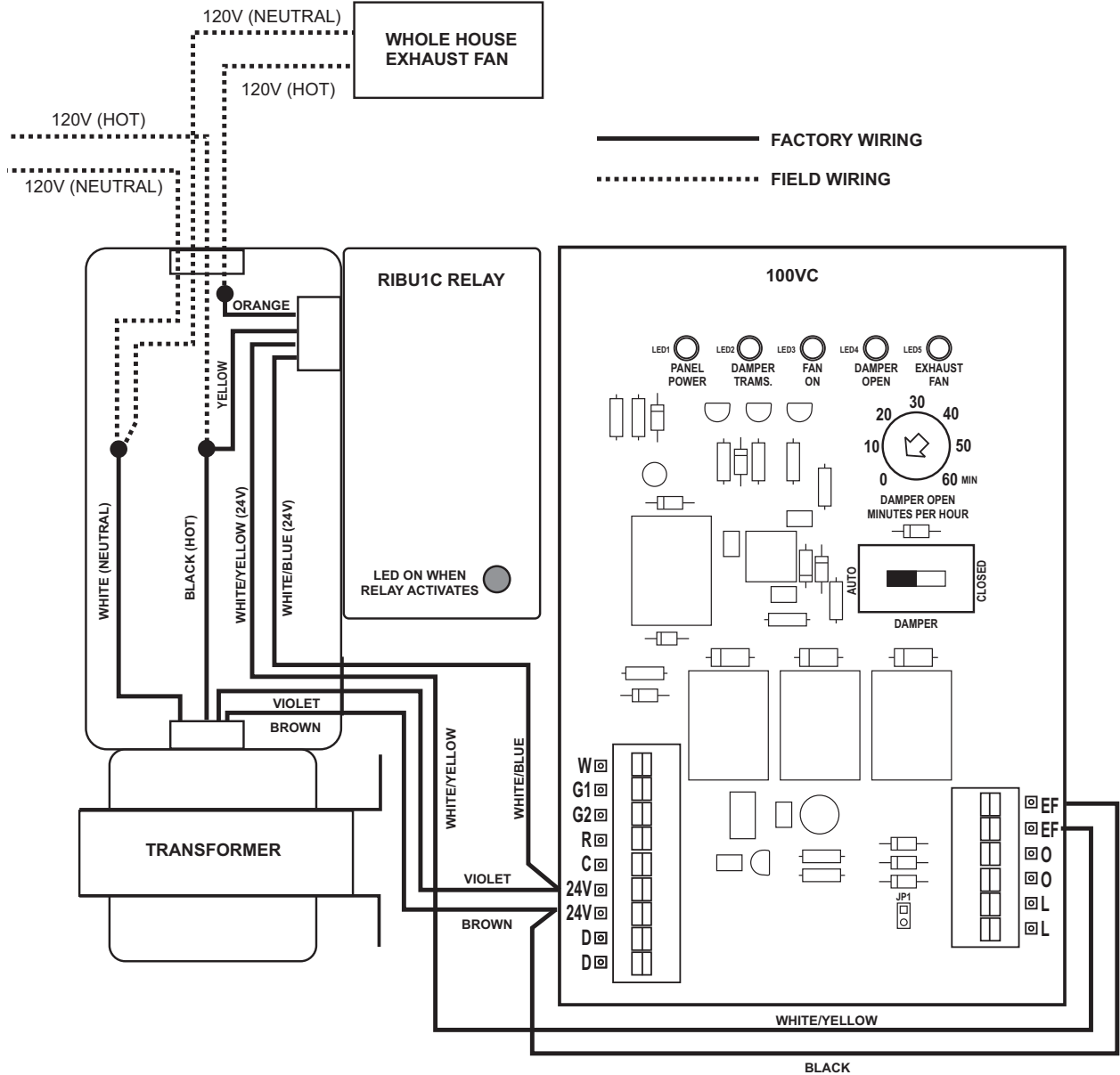
- 5 Years



Specifications:

Mounting	Aluminum back plate with mounting holes
Coverage	1,500 – 4,000 ft ²
Adjustable Ventilation Schedule	1 – 60 minutes
Ventilation CFM Range	40 – 150 CFM
Power Requirement	24VAC
Damper Requirement	24VAC, 10VA, power open/spring close actuator

iO-FAVR-ENHANCED 120 VOLT WIRING DIAGRAM



The iO-FAVR-ENHANCED has a built-in transformer used to power the outside air damper open when the panel calls for ventilation air and a relay that allows a whole house exhaust fan to be wired directly to the panel. Whenever the FAVR calls for ventilation air, 24 volts is sent to the relay coil which closes the 120V (Hot) contact to the exhaust fan.

1. Remove the cover on the 2 x 4 junction box.
2. Wire the 120 volt neutral from the exhaust fan and 120V primary neutral to the white neutral wire in the junction box.
3. Wire the 120 volt primary hot wire to the black hot and yellow hot wire in the junction box.
4. Wire the 120 volt hot wire from the exhaust fan to the orange hot wire in the junction box.



5351 East Thompson Road Suite 142
Indianapolis, IN 46237
P: 888.359.0362
F: 317.489.5204

info@iOhvaccontrols.com
www.iOhvaccontrols.com